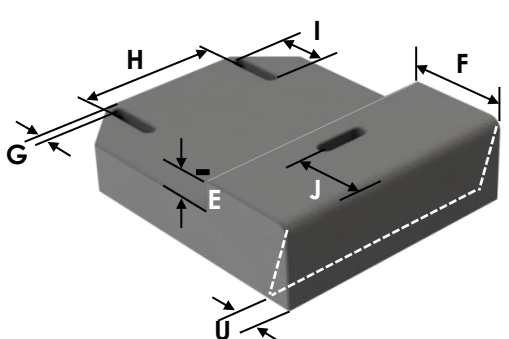


COMPANY	Required	THERAPIST NAME	
REP NAME	Required	THERAPIST EMAIL/MOBILE	
REP EMAIL/MOBILE	Required	CLIENT NAME	Required
ORDER NUMBER	Required	CLIENT WEIGHT	
CUSHION STYLE <small>Required</small>	<input type="radio"/> VIGOUR. Non-adjustable cushion <input type="radio"/> SPEX. Adjustable cushion base Select trough height: <input type="radio"/> Std: 30mm <input type="radio"/> Hi: 50mm <input type="radio"/> Super-Hi: 80-100mm	FABRIC OPTIONS <small>Required</small>	<input type="radio"/> Standard cover with dual shear-resistant surface (Default) <input type="radio"/> Spextex. Water-resistant. Wipe-down surface <input type="radio"/> Spextex. Knitted surface <input type="radio"/> Airmesh spacer fabric surface <input type="radio"/> Supracor supplied with envelope cover Border colour: <input type="radio"/> Black <input type="radio"/> Blue <input type="radio"/> Pink <input type="radio"/> Orange <input type="radio"/> Grey
CUSHION SIZE	Required: Width x length	SPARE COVERS	Note. Every cushion comes with 1 outer cover and 1 incontinence cover <input type="radio"/> Spare outer cover. Quantity: _____ <input type="radio"/> Spare incontinence cover. Quantity: _____ <i>Attention: Spare covers cannot be made later.</i>
FOAM CHANGES	<input type="radio"/> ½" Additional Soft Sunmate over surface <input type="radio"/> ½" Gel-Foam over surface <input type="radio"/> Waffle gel in ischial region <input type="radio"/> Waffle gel over entire surface		



PRE-ISCHIAL SHELF:

F = E =

Angle of shelf =

HIP BELT SLOTS:

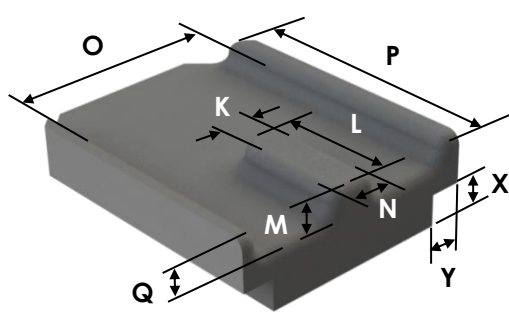
G = H = I =

POMMEL STRAP SLOT:

J =

CUT-BACK FOR CONTRACTURES:

U =



INBUILT ABDUCTOR POMMEL:

K = L =

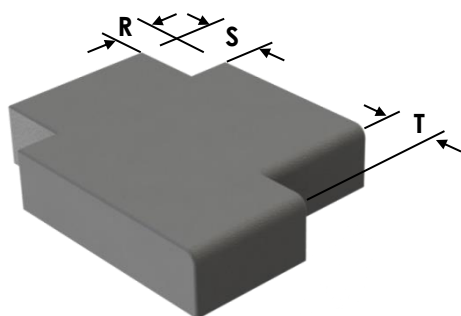
M = N =

INBUILT ADDUCTOR THIGH GUIDES:

O = P = Q =

SEAT RAIL CUT-OUT FOR DROP BASE:

X = Y =



LEG DISCREPANCY CUT-OUT:

T =

CUT-OUT FOR CANES:

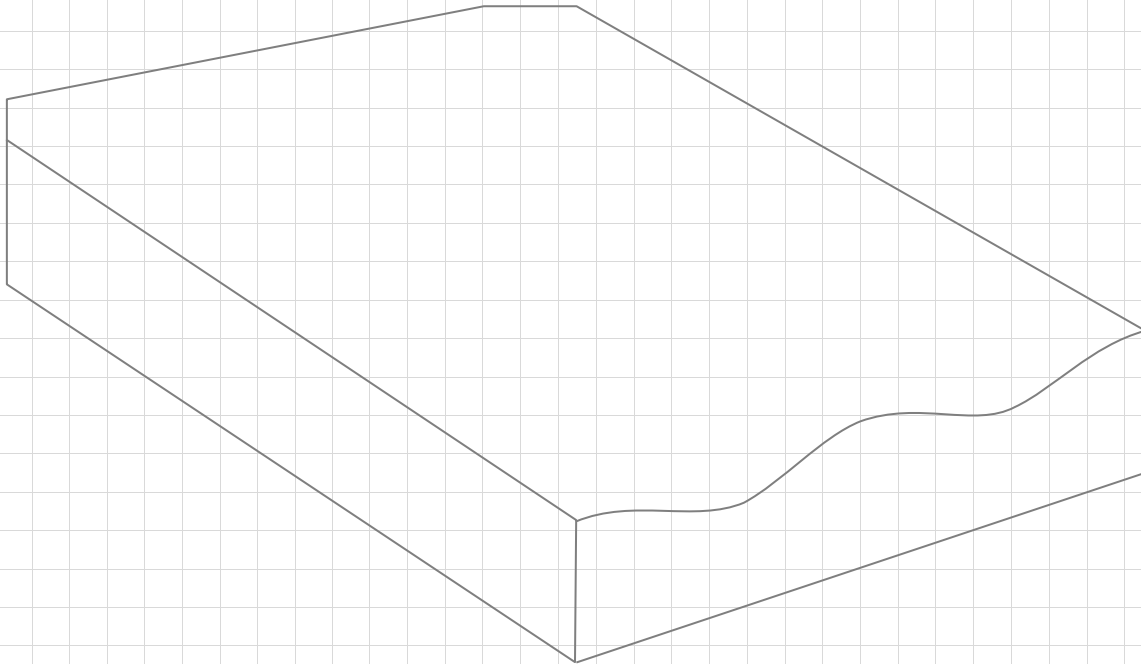
R = S =

OTHER DETAILS:

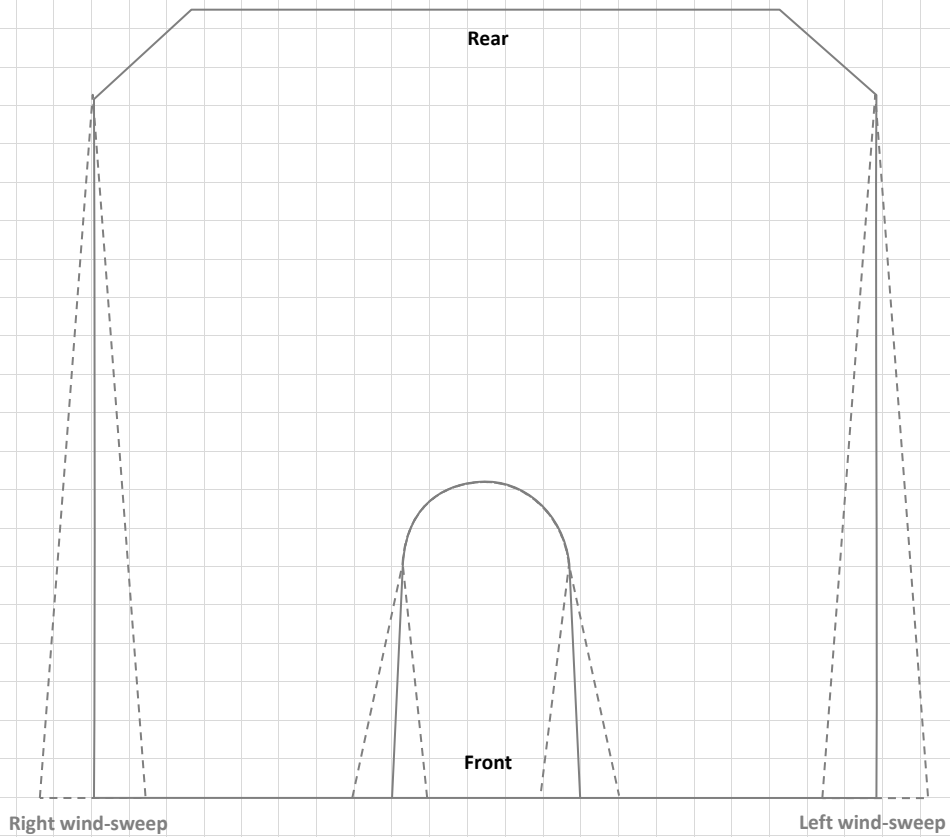
Draw on these profiles to clearly describe your request. Include all dimensions.

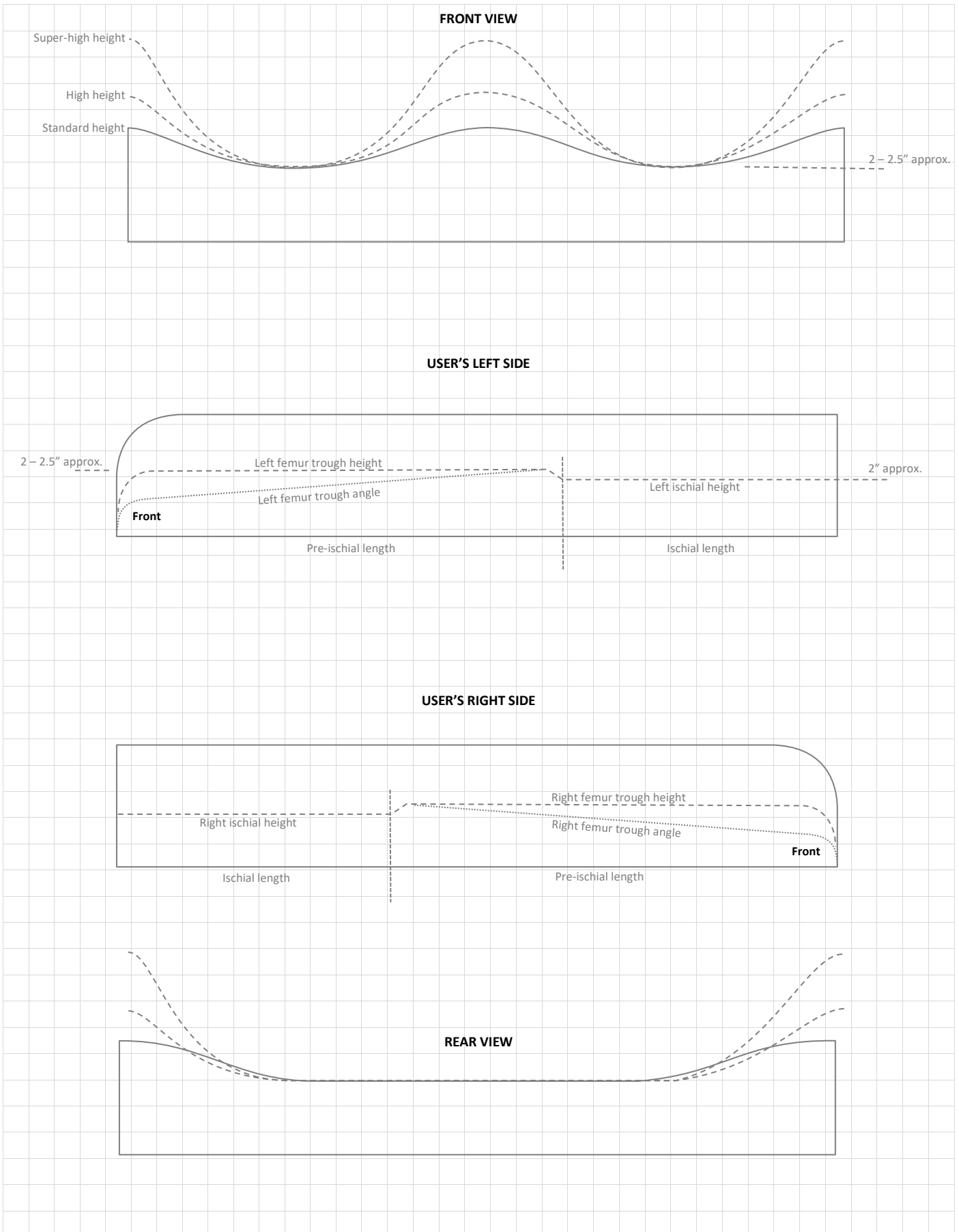


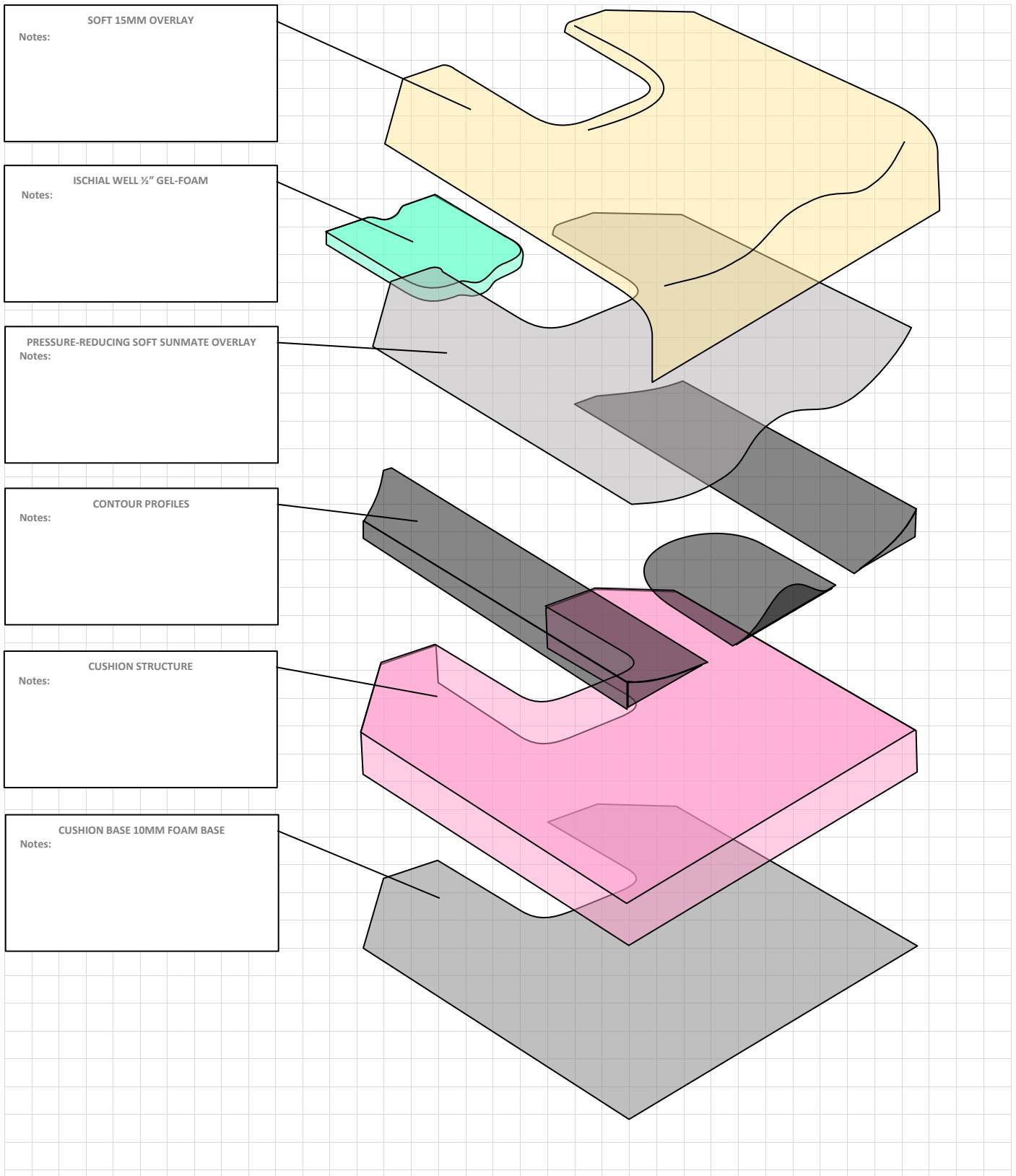
VIEW ELEVATION



TOP VIEW







Disclaimer:

1. The supplier/purchaser undertakes full responsibility for accuracy of measurements and data given.
2. If inaccurate details are given, Medifab takes no responsibility for incorrect product supplied
3. The supplier/purchaser will not be reimbursed/refunded when inaccuracies are given.
4. Medifab manufactures the product according to the details and data given. Medifab takes no responsibility for missing details or changes that occur during the manufacturing process.
5. Medifab has authority to not make the product until details are clarified or obtained. This delay will be deemed essential and no responsibility will be accepted due to delays in supplying the product.