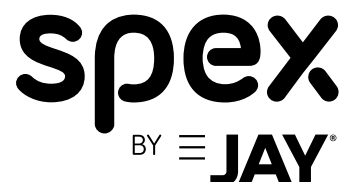


User Manual for all Spex Cushions (product code begins with '110-')

Revision: Cushion20211125_JAY

Le manuel pour tous les coussins Spex (code de produit commençant par '110').

Révision: Cushion20211125_JAY



Cushion
Installation & User Manual
Manuel de l'utilisateur et installation du coussin

IMPORTANT CONSUMER INFORMATION NOTICE:

This manual contains important instructions that must be passed on to the user of this product. Please do not remove this user manual before delivery to the end user.

SUPPLIER: This manual must be given to the user of this product.

USER/CAREGIVER: Before using this product, read entire manual and save for future reference. Transit Safety section **MUST** be read before cushion is used in a vehicle.

MD: This product is a Medical Device.

RENSEIGNEMENTS IMPORTANTS POUR L'UTILISATEUR

Le présent manuel contient des instructions importantes qui doivent être transmises à l'utilisateur de ce produit. Ne pas retirer ce manuel de l'utilisateur avant la livraison du produit à l'utilisateur final.

FOURNISSEUR : Ce manuel doit être remis à l'utilisateur de ce produit.

UTILISATEUR /DISPENSATEUR DE SOINS : Avant d'utiliser ce produit, veuillez lire le manuel au complet et le conserver pour référence ultérieure. Il **FAUT** lire la section Transport sécuritaire avant d'utiliser le coussin dans un véhicule.

MD : Ce produit est un dispositif médical.

User Name / Nom de l'utilisateur :

Serial Number / Numéro de série :

Contents:

Introduction	2
Intended Use	2
Contraindications	2
Safety Instructions	3
Weight Capacity	3
Environment	3
Compatibility	4
Warnings	4
Cushion Contents	5
Re-issuing to Another User	5
Disposal & Recycling	5
Adjusting the Strategic Positioning Base	6
Pelvic Obliquity Adjustment	6
Configuring the Spex Cushion	7
Other Configuring Tips	8
Fitting the Cushion	8
Maintenance & Cleaning	9
Cushion Strategic Base Chart	10
Transit Safety – Assembly, Use, Maintenance & Limitations	11
Transit Safety – Correct Positioning of Belt Restraints	12
Warnings	13
Warranty	16

Introduction

The Spex Cushion is a contoured/modular and adjustable cushion for both symmetrical and asymmetrical sitting postures. It is designed for supporting the pelvis and legs correctly and offering skin protection. The strategic positioning system used underneath enables easy and on-the-spot adjustment. Note: Check all parts are free from shipping damage. Contact Spex or your supplier for further instructions if needed. Spex recommends that a clinician such as an Occupational Therapist or Physiotherapist who is skilled in wheelchair seating and positioning be consulted to determine if the Spex Cushion is appropriate for the user.

Intended Use

Spex Seating is intended for users (disabled and/or discomforted) that require specific postural and positioning support to provide comfort for body function in a sitting posture on wheelchairs for daily activities and for transportation in vehicles. It is designed with ergonomic adjustments to provide improved personal body-posture conditions and/or to help prevent/reduce physical problems associated with sedentary work or activities.

Contraindications

1. Use of Spex Wheelchair seating products may affect the center of gravity causing the Wheelchair to tip, potentially causing injury. Always judge the need for anti-tippers or amputee axle adapter brackets to be added to the Wheelchair to increase stability.

2. Check regularly for skin redness and that pressure spots are not developing. If your skin develops redness, stop using the product and consult your doctor or therapist.

Safety Instructions

To avoid injury, read, understand and follow all instructions and warnings in this manual before installing and using the Spex Cushion. There are hazards associated with the use of wheelchairs and adaptive equipment. If you misuse your wheelchair or your Cushion you can be seriously injured. If your Cushion ceases to function as intended, please consult your authorized Spex seating supplier immediately before continuing to use. Any serious incident that has occurred in relation to this product should be reported to Spex Ltd.

Spex Cushion meets the requirements of ISO 7176-16; wheelchairs - resistance to ignition of postural support devices. The cover and foam meet the flammability requirements of California Technical Bulletin 117. In rare cases the fabrics used in this product may cause a skin irritation for people with sensitive skin. If you experience any reddening or itching of the skin consult with your health care professional.

Disclaimer: Spex takes no responsibility as to the therapeutic effectiveness of our products. Our claims relate to the ability of the products to provide safe and reliable positioning and seating on the equipment onto which they are installed.

Weight Capacity

- 10-15" (25.4 - 38 cm) Cushion maximum user weight: **200 lbs. (90 kg)**
- 16-20" (41 - 51 cm) Cushion maximum user weight: **350 lbs. (160 kg)**



WARNING

Never exceed the weight capacity of your cushion or the wheelchair as specified by the wheelchair manufacturer. Never perform exercise weight training that causes the user to exceed the weight capacity of the wheelchair.

Environment

Moisture: Keep your Cushion dry at all times, as contact with water or excess moisture could cause degradation to the functionality of your Cushion, or potential failure. If your Cushion becomes damp or wet, thoroughly wipe with a dry cloth as soon as possible. Do not use your Cushion in a showering or pool facility.

Temperature: Your Cushion may not function as intended when used at extreme temperatures. Keep the Cushion away from sources of extreme heat or extreme cold to avoid change in functionality of the foam.

Dirt: Small particles such as dust, dirt and sand may restrict optimum functionality. Regularly wash your Cushion cover to ensure no build-up occurs.

Compatibility

- The Spex Cushion has been designed to be compatible with most wheelchairs.
- The Spex Cushion must have a solid base to install to, such as a solid seat base pan or cushion rigidizer, which provides more stability to the user.



WARNING

RISK OF ACCIDENT, INJURY, PAIN OR DEATH IF WARNINGS ARE NOT HEEDED

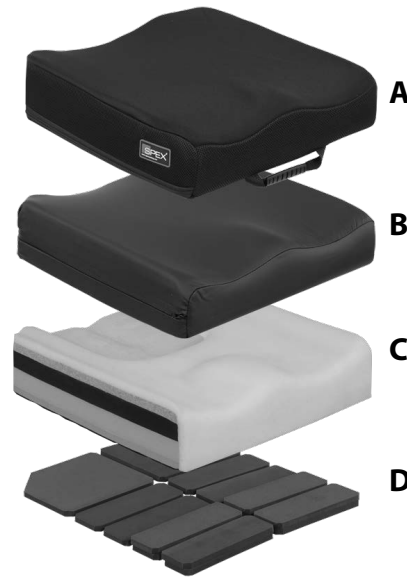
Seek assistance if you are uncertain about any of the following points

- 1. Installing a Cushion on a wheelchair may disturb the wheelchair's centre of gravity and cause the wheelchair to tip backwards potentially resulting in injury or death. Check if anti-tippers or other adaptations need to be added to the wheelchair to help increase stability.**
- 2. Installation and adjustment of your Spex Cushion must only be performed by**
 - a) An authorized Spex distributor or technician**
 - b) A qualified healthcare professional who has undergone appropriate biomechanical training**
- 3. The Spex Cushion must have a solid base to install to. A solid seat base pan will provide more stability to the user (the Cushion won't sag).**
- 4. This Cushion must be trialed first to determine its effectiveness in meeting the needs of the user. The clinician must inspect the user's skin to ensure that red pressure spots are not developing.**
- 5. The user and/or caregivers should regularly check for skin redness or tissue breakdown. If redness develops, discontinue the use of the Cushion immediately and consult your doctor or therapist. The Cushion can be reconfigured for better positioning.**
- 6. With proper set-up and continued maintenance, the Spex Cushion is an excellent candidate for people who are at risk of skin ulcers, however no Cushion can completely eliminate sitting pressure or prevent pressure ulcers.**
- 7. Keep the Cushion dry. Moisture is a contributing factor in causing pressure ulcers.**
- 8. We recommend the user to have a good diet and have regular pressure relieving exercises/therapy to help prevent pressure ulcers.**
- 9. Do not leave the Spex Cushion outside overnight or at temperatures below 5° C/41° F. The Spex Cushion should be room temperature before sitting on it.**
- 10. Avoid sharp objects or exposure to excessive heat or open flame.**
- 11. The Spex Cushion has been specifically designed as a Cushion for users in mobility wheelchairs. Do not use the Cushion in any way not described and never modify the Cushion.**
- 12. Never use the Cushion without its cover. Care should be exercised near open flame or burning cigarettes. Using the Cushion without its cover increases the risk of flammability and skin damage.**
- 13. Never use the Cushion without the incontinence cover. Failure to do so will reduce the life of the Cushion.**

Cushion Contents

Your Cushion contains the following:

	Description	Quantity
A	Outer cover	1
B	Incontinence cover	1
C	Foam Unit	1
D	Strategic Positioning Base	1



Re-issuing to Another User

Once the user has finished using the Spex Cushion, it must be refurbished and thoroughly cleaned if it is issued to another user. Below are the strict guidelines for refurbishing the Spex Cushion. Spex takes no responsibility for contamination, cross infection, or damage. Spex recommends using AHP (Accelerated Hydrogen Peroxide) disinfectant wipes. The disinfection product must be used as per the manufacturer instructions. Spex takes no responsibility for the effectiveness of the disinfecting process.

Part	Procedure
Safety check	All components to be checked for signs of stress or cracking.
Upholstery covers	Both the incontinence cover and outer cover must be replaced regardless of condition.
Strategic positioning base	Ensure each contouring pocket has the correct layers of foam pads.
Foam	Foam should be checked for degradation and cleanliness.

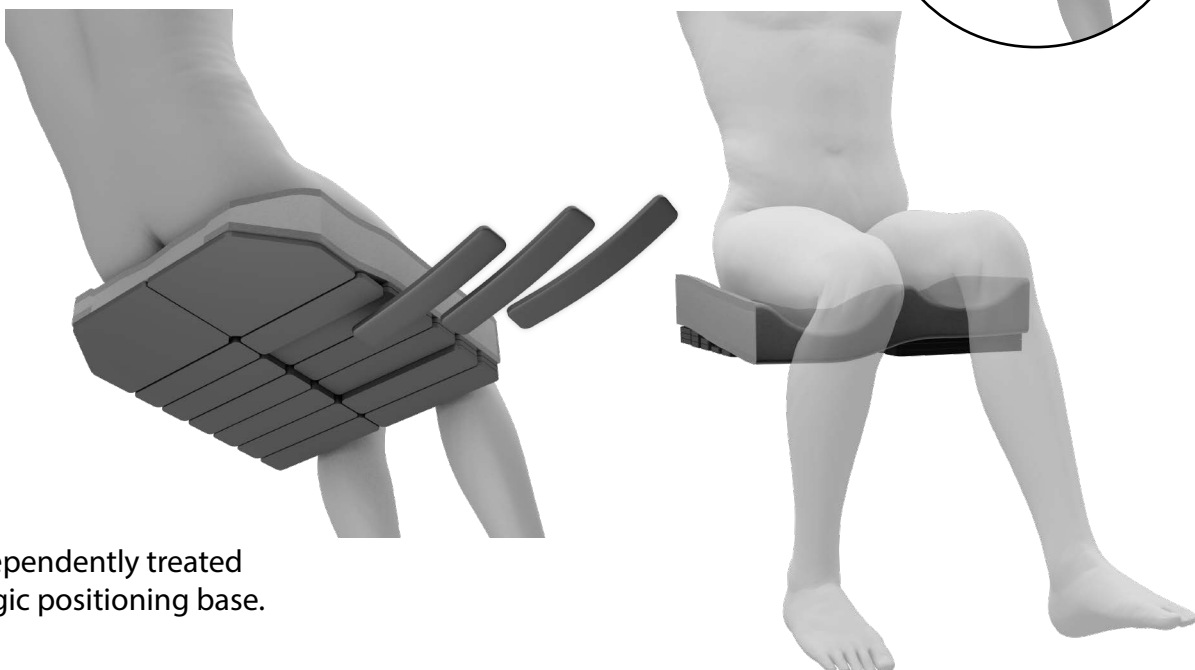
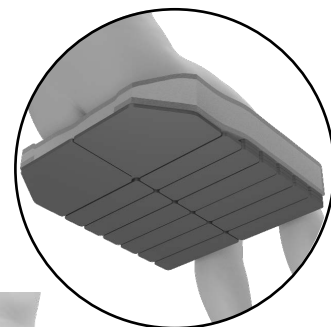
Disposal & Recycling

Your Spex Seating System is manufactured using a variety of materials, most of which can be recycled. Once it reaches the end of its life, if you are the legal owner, do not dispose of as ordinary household waste but take your Spex System to an approved recycling or collection point, to dispose of according to local laws and regulations.

Separate collection and recycling of the Spex System when disposing ensures protection of the environment and assists with natural resource conservation.

Adjusting the Strategic Positioning Base

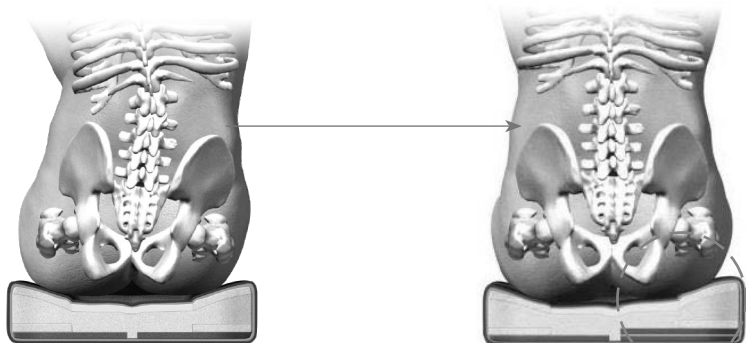
The Spex Cushion can be configured to suit many different postures of persons with disabilities or sitting issues. By adjusting the strategic positioning base, the Cushion surface is contoured to improve overall posture, pelvic alignment, sitting ability, comfort and pressure reduction. If more contouring or support is needed for asymmetries, the 5° cushion wedge (accessory) may be required.



Each leg is independently treated with the strategic positioning base.

Pelvic Obliquity Adjustment

Rear corner cells can be added or removed on both sides to correct or accommodate obliquity. Upper pressure reducing layers are unaffected.



No adjustment



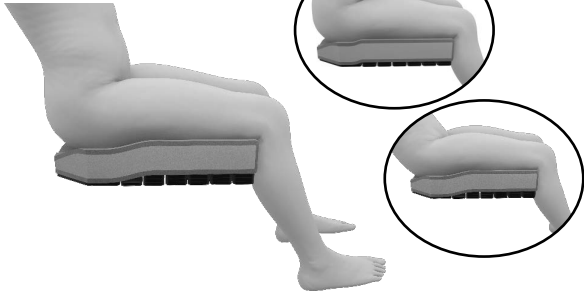

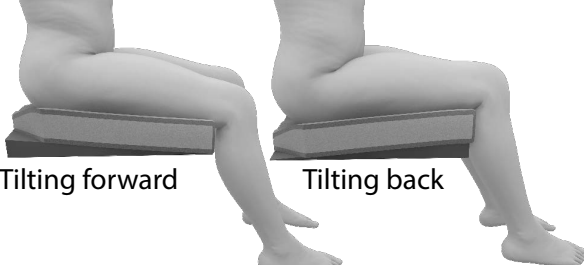
Built up under right side



WARNING

Adjustments to be done by a certified and experienced clinician such as a doctor, therapist or rehab engineer who is skilled in seating and positioning. Adjustments must be done following a proper assessment of the user's biomechanical needs.

Configuring the Spex Cushion

<p>Images are for illustrative purposes only</p>	<p>Disclaimer: The clinical evaluation assessment will determine which Cushion options are chosen to meet each client's needs.</p>
	<p>Moderate positioning and control</p> <p>The Cushion can be configured on both sides or either side independently. Cushion can remain flat if required.</p>
	<p>Tight hamstrings/limited hip flexion/posterior pelvic tilt</p> <p>Cushion can be wedged to slope to front with cells added at rear and removed at front.</p>
	<p>Management and positioning</p> <p>Build cells up under thighs for enhanced pre-ischial support and control.</p>
	<p>Pelvic rotation</p> <p>To help control pelvis from rotating, create a build-up under the affected leg (in front of the ischial).</p>
	<p>Need more support/contouring?</p> <p>Use our 5° (degree) cushion wedge for more support if needed. One can be used, or if needed for both legs, then use two. Wedge can be positioned either sloping to back or front depending on user's positioning requirements.</p>

Other Configuring Tips

Configurations must depend on biomechanical evaluation and assessment.

- 1.** Anterior pelvic tilt: Leave Cushion flat or slightly raise front of Cushion for neutral alignment of the pelvis and/or promote weight bearing on ischial tuberosities.
- 2.** Extensor thrust: Increase hip and knee flexion by building more support under front of thighs.
- 3.** Pelvic obliquity: Build-up under low side to correct, under high side to accommodate.

Fitting the Cushion

- 1.** Position the Cushion about ½" forward of the front edge of the seat base pan to protect the user's legs.
- 2.** The front of the Cushion must face forwards at all times.
- 3.** Check the size of the Cushion. The Cushion must fully support the base of the user. If a Cushion is too long it may force the user to sit with a posteriorly tilted pelvis.
- 4.** The sides of the Cushion must always be parallel to the seat rails of the wheelchair frame.
- 5.** Proper footrest adjustment may enhance sitting comfort. Adjust the footrests so the user's legs rest firmly but comfortably on the Cushion.

Maintenance & Cleaning

Monthly cleaning and regular maintenance will help extend the life of the Cushion. The expected lifetime of the Cushion is 5 years; however the Cushion needs to be checked regularly for performance.

Spex recommends using AHP (Accelerated Hydrogen Peroxide) disinfectant wipes. The disinfection product must be used as per the manufacturer instructions. Spex takes no responsibility for the effectiveness of the disinfecting process.



WARNING

- Replacing the cover after washing must be done correctly. Ensure the back of the cover matches up to the back of the foam base.
- If used in an institutional setting, write the resident's name with a permanent marker on the content label of the covers. This will help to ensure the return of the covers after washing.
- Use only Spex Covers on Spex Cushions. Changing the Cover, or using different materials, will alter the design and may cause harm or pressure concerns to the user.

Foam

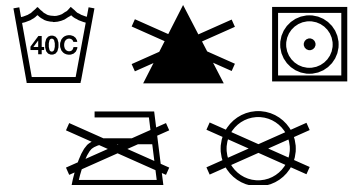
- Keep dry.
- Check the foam base regularly to ensure good foam consistency.
- If it accidentally becomes wet, dry thoroughly before replacing the covers.

Incontinence Cover

- Hand wash only.
- Do not use bleach or other strong cleaners.
- Do not tumble dry.
- Failure to use this cover may reduce the life of the cushion.

Outer Cover

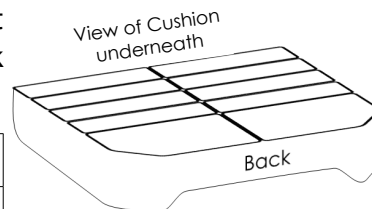
- Remove the cover from the foam base and turn inside out.
- Machine wash in warm water (40° C / 104° F)
- Drip or tumble dry on low heat.
- Do not iron. Do not dry clean. Do not bleach.
- If chemical cleaners are used, covers must be rinsed thoroughly with water to remove all chemical residue and left to dry completely before reuse.
- Check the cover for tears and excessive wear and replace if ripped, torn or otherwise not fully functional.



If you have any additional questions regarding cleaning procedures, please contact your authorized Spex Seating dealer.

Cushion Strategic Base Chart

Once your Spex Cushion is set up in an optimal position, use the chart below to record the number of contouring cubes in each cell. Mark unused/unavailable cells below with an 'X'.



Assessment Date	
Clinician Name	
Client Name	
Notes	

Front of Cushion - Underneath view

User's right leg

User's left leg

Back of Cushion - Underneath view

Transit Safety

The Spex Seating System has been successfully crash tested and complies with RESNA WC-4:2012, Section 20 (WC20). The Spex Seating System meets the requirements of ISO 16840-4:2009 and is suitable for use as a motor vehicle seat when used with an appropriate wheelchair base. Please follow all installation, use and maintenance instructions within this manual as well as the following transit instructions. If feasible, the wheelchair user should transfer to the vehicle seat and use the vehicle-installed occupant restraint systems.

Spex Seating System has been designed to accommodate the proper use of vehicle-anchored belt restraints. Spex achieved a rating of Excellent (16 out of 16), for ease of properly positioning a belt restraint, and the degree to which proper belt restraint can be achieved, based on the methods of Annex D. The following items of the Spex Seating System have been tested and are suitable for use in a motor vehicle:

- Full Height Back Support Models
- Seat Base
- Cushion Models
- Arm and Thigh Supports
- Trunk Lateral Supports
- Head Supports

Note: Back supports that are lower than the user's shoulder height are not certified and not recommended for transport in a vehicle. Eg. Vigour Lo and Vigour Mid back supports.

Assembly, Use, Maintenance & Limitations

- Adjustments to the set-up of the wheelchair must only be carried out by a qualified therapist, professional, or seating technician. Custom contoured/bespoke systems may require a qualified professional to configure and install the seating system.
- After carrying out any adjustments ensure all bolts, screws and nuts are securely fastened again to ensure safety when travelling in a vehicle.
- Ensure the top and bottom mounts of the backrest and the front and rear mounts of the seat pan are installed as far apart from each other as possible to give a stronger 4-point attachment to the wheelchair frame. Ensure the quick release latches are engaged.
- Do not use the Spex Seating System as a vehicle seat if seating components which have not been successfully crash tested are used anywhere on the seating system. Spex seating is designed and certified using only Spex components. Spex is not liable in the event where other manufactured seating systems are used in conjunction with Spex seating.
- At regular intervals check that all the fastenings on the Spex Seating System have not become loose during day to day use and re-tighten if necessary.
- Ensure the swing-away laterals are in their locked position before using the seat as a vehicle seat in a motor vehicle.

Transit Safety

Correct Positioning of Belt Restraints

When using the Spex Seating System as a vehicle seat, both a pelvic-belt restraint and shoulder-belt restraint must always be used. To correctly position the belt restraints on the wheelchair occupant, the following must be ensured:

- The pelvic-belt restraint should be worn low across the front of the pelvis near the junctions of the pelvis and thighs.
- The angle of the pelvic-belt restraint should be between 30° to 75° relative to the horizontal and, ideally, between 45° to 75° to the horizontal (as shown in Figure 2).
- The belt-restraint buckle of three-point belt restraints should be placed in contact with the occupant’s body and away from wheelchair components.
- The junction of the shoulder-belt and pelvic-belt of three-point-belt restraints should be located near the hip opposite the shoulder over which the diagonal belt crosses and not near the midline of the occupant.
- Belt restraints should not be routed outside of the wheelchair wheels or over the wheelchair armrests, and should not be held away from the body by wheelchair components or parts.
- Upper torso belt restraints should fit directly over, and in contact with, the middle of the shoulder.
- Belt restraints should be adjusted to fit as snugly as possible, consistent with user comfort.
- Belt restraints should not be worn twisted in a manner that reduces the area of contact of the belt webbing with the occupant.



Figure 1

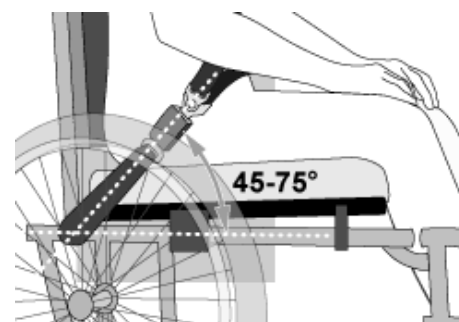


Figure 2



Figure 3a - Improper positioning of pelvic-belt restraints over wheelchair supports.

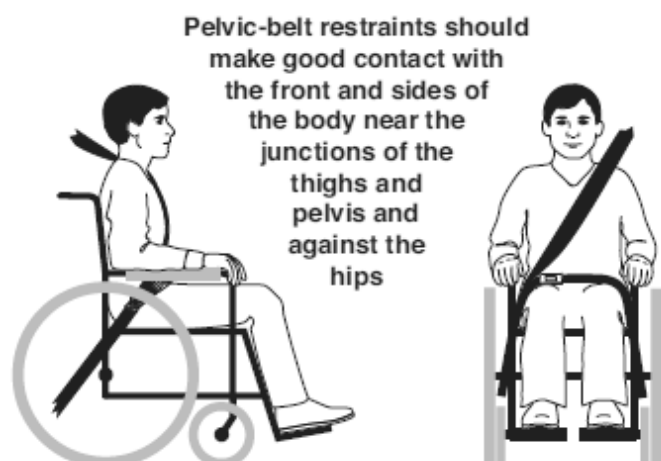


Figure 3b - Proper routing and positioning of belt restraints on the wheelchair occupant.

 **WARNING**

- 1. The distance between the top of the user's shoulder and the top of the back should not exceed 6.5" (16.5 cm).**
- 2. The Spex Seating System must only be used with wheelchair bases that are tested as part of a wheelchair system that conforms to performance requirements of ISO 7176-19 and RESNA WC-4:2012, Section 19.**
- 3. The Spex Seating System should only be used on wheelchair frames that provide four securement points and pelvic-belt anchor points that conform to the requirements of RESNA WC-4: 2012, Section 19.**
- 4. The wheelchair must be labelled as appropriate for use as a seat in a motor vehicle, dynamically tested to the performance requirements of ISO 7176-19 and installed, used and maintained according to the manufacturer's instructions.**
- 5. The Spex Seating System must only be used as indicated in this user manual.**
- 6. Both pelvic and shoulder-belt restraints as a part of a complete Wheelchair Tie down and Occupant Restraint System (WTORS) which meets ISO 10542-1 shall be used to achieve effective occupant restraint and optimum protection in a vehicle impact; the belt restraints should be compatible with the specific wheelchair, and fitted to the user in accordance with WTORS manufacturer's instructions.**
- 7. Back supports with adjustable recline angles should not be tilted back more than 30° beyond the vertical during travel in vehicles unless necessary for the medical and postural needs of the occupant.**
- 8. If the back support must be adjusted to an angle that is greater than 30° beyond the vertical during travel, the upper shoulder-belt anchor point should be adjusted rearward to maintain belt**

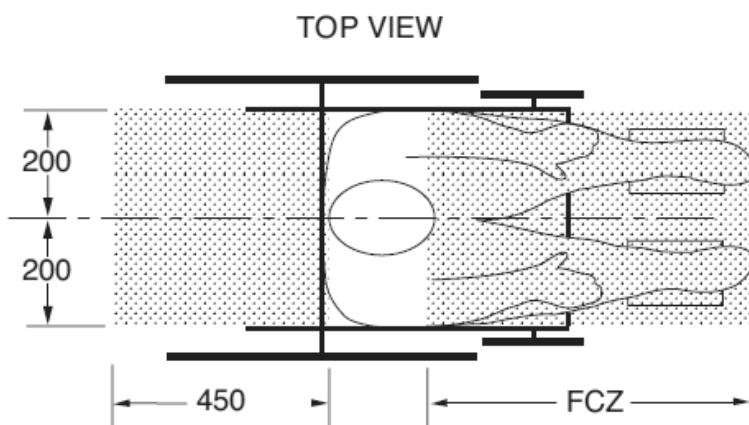
**WARNING**

- 8. cont... contact with the wheelchair occupant's shoulder and chest.**
- 9. The Spex Seating System must only be used for forward-facing seating in motor vehicles.**
- 10. In order to reduce the potential of injury to vehicle occupants, wheelchair-mounted rigid trays not specifically intended for use during travel in motor vehicles must be:**
 - a. Removed and secured separately in the vehicle or**
 - b. Secured to the wheelchair so they will not break free in a crash and**
 - Be positioned with a gap of at least 3" (75 mm) between the back edge of the tray and the wheelchair occupant's abdomen and/or chest so as not to interfere with the proper belt-restraint use, and**
 - Have energy absorbing padding placed between the back edge of the tray and the wheelchair occupant.**
- 11. Alterations or substitutions must not be made to the seating system structure, parts or components, without first consulting Spex.**
- 12. The use of a postural pelvic belt attached to the wheelchair base or seat frame is encouraged during travel, but these belts should be positioned so that they don't interfere with the proper positioning of crashworthy belt restraints, and they should not be relied on for occupant protection in crash situations unless the postural belt has been designed to comply with, and perform to the requirements of WC19.**
- 13. Postural support devices that are not labelled as conforming to ISO 16840-4 may be used when in a vehicle, but should not be relied on for occupant restraint.**

**WARNING**

14. Both pelvic-belt and shoulder-belt restraints that comply with WC18 and/or WC19 should be used to limit occupant movement in a crash and reduce the likelihood of occupant ejection from the vehicle and/or injurious contact of the occupant with the vehicle interior.
15. Belt restraints should be positioned on the wheelchair occupant in accordance with WTORS manufacturer's instructions.
16. Backrest mounting hardware must be installed correctly. Refer to the appropriate section for correct backrest hardware mounting instructions.
17. If the wheelchair is being transported while occupied, the wheelchair must still be secured to the WTORS.
18. Children whose mass is less than 48.5 lbs. (22 kg) should be transferred from their seating system into appropriate child restraint systems intended for use in motor vehicles.
19. Sufficient forward and rearward clear space should be provided around the wheelchair occupant. Forward clear-space zone (FCZ) needs to be larger when a shoulder-belt restraint is not used.

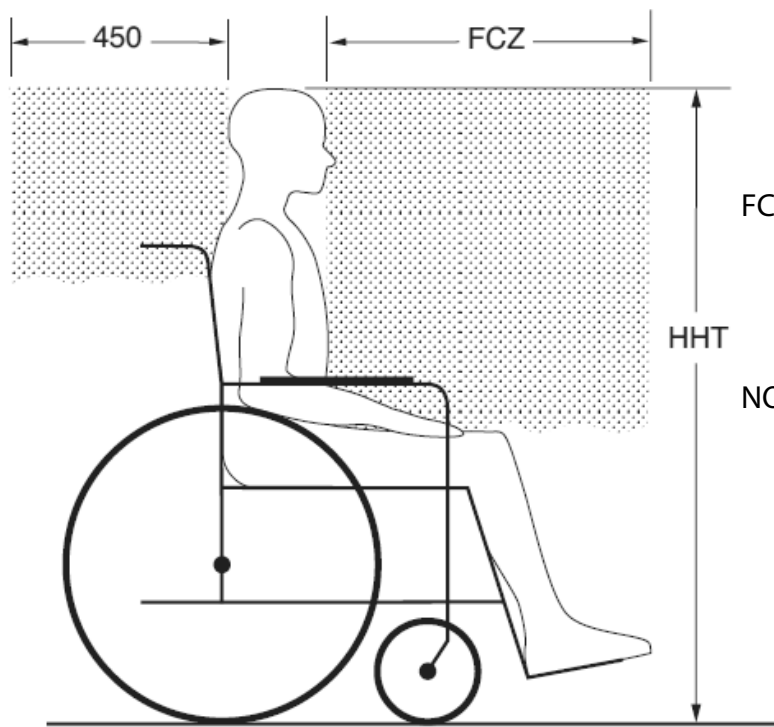
FAILURE TO HEED THESE WARNINGS COULD CAUSE SEVERE INJURY TO THE WHEELCHAIR USER OR OTHERS.



NOTES: The rear clear zone is measured from the rearmost point on an occupant's head. The front clear zone is measured from the frontmost point on an occupant's head.

Seated head height (HHT) ranges from about 47" (1200 mm) for a small adult female to about 61" (1550 mm) for a tall adult male.

WARNING



SIDE VIEW

FCZ = 25.5" (650 mm) with upper torso restraint
 = 37" (950 mm) with only pelvic restraint

NOTE: It is strongly recommended that both pelvic and upper torso belts be used.

Recommended forward and rearward clear zones for wheelchair seated occupants. (Note: the FCZ may not be achievable for wheelchair seated drivers).

Warranty

Each Spex Cushion is carefully inspected to provide peak performance and is guaranteed to be free from defects in materials and workmanship for a period of 24 months from the date of purchase, provided normal use. Should a defect in materials or workmanship occur within 24 months from the original date of purchase, Spex will, at its option, repair or replace it without charge. This warranty applies to the cushion components including the outer cover, incontinence cover, foam unit and strategic positioning base. This Warranty does not apply to the general wear and use, including punctures, tears or burns or customer abuse of any of the cushion components.

Claims and repairs should be processed through the nearest authorized Spex supplier. Except for express warranties made herein, all other warranties, including implied warranties of merchantability and warranties of fitness for a particular purpose are excluded. There are no warranties which extend beyond the description on the face hereof. Remedies for breach of express warranties herein are limited to repair or replacement of the goods. In no event shall damages for breach of any warranty include any consequential damages or exceed the cost of non-conforming goods sold.

The serial number of your Cushion can be located at the rear of the Cushion cover.


 32 Detroit Drive
 Rolleston 7675
 New Zealand



spex

Spex Ltd
 Phone +64 3 307 9790
 Fax +64 3 307 2820
 fasterresults@spexseating.com
 www.spexseating.com

US	REP
Medicept 200 Homer Ave, Ashland, MA 01721 United States Tel: +1-508-231-8842	

EC	REP
BEO MedConsulting Berlin GmbH Helmholtzstr. 2 D-10587 Berlin, Germany Tel: +49-30-318045-30	

Table des matières:

Introduction	17
Utilisation prévue	18
Contre-indications	18
Consignes de sécurité	19
Capacités maximales	19
Environnement	19
Compatibilité	20
Avertissements	20
Contenu de coussin	21
Adaptation pour un autre utilisateur	21
Élimination et recyclage	21
Réglage de la base de positionnement stratégique	22
Réglage de l'obliquité pelvienne	22
Configuration du coussin Spex	23
Autres conseils pour la configuration	24
Mise en place du coussin	24
Entretien et nettoyage	25
Tableau de la base stratégique du coussin	26
Transport sécuritaire – Assemblage, utilisation, entretien et limites	27
Transport sécuritaire – Positionnement correct des ceintures de contrainte	28
Avertissements	29
Garantie	32

Introduction

Le coussin Spex est un coussin profilé/modulaire et réglable, servant aussi bien aux positions assises symétriques qu'asymétriques. Il a été conçu pour supporter correctement le bassin et les jambes tout en offrant une protection de la peau. Les unités de posture utilisées sous le coussin permettent d'améliorer le soutien du corps.

Note : S'assurer qu'aucune pièce n'a été endommagée durant le transport. Communiquez avec Spex ou votre fournisseur si vous avez besoin de plus d'instructions. Spex recommande de consulter un clinicien comme un professionnel ou un thérapeute, connaissant bien le positionnement d'un patient dans un fauteuil roulant, afin de déterminer si le coussin Spex est approprié pour l'utilisateur. Le coussin Spex convient particulièrement aux utilisateurs qui exigent un soutien de la posture.

Utilisation prévue

Spex Seating est destiné aux utilisateurs (handicapés et/ou mal à l'aise) qui nécessitent un soutien postural et de positionnement spécifique pour offrir un confort de fonctionnement corporel en position assise sur des fauteuils roulants pour les activités quotidiennes et pour le transport dans des véhicules. Il est conçu avec des ajustements ergonomiques pour améliorer les conditions de posture corporelle et/ou pour aider à prévenir/réduire les problèmes physiques associés au travail ou aux activités sédentaires.

Contre-indications

- 1.** L'utilisation de produits d'assise pour fauteuil roulant Spex peut affecter le centre de gravité et faire basculer le fauteuil roulant, ce qui peut causer des blessures. Jugez toujours de la nécessité d'ajouter des supports d'adaptation d'axe anti-bascule ou pour amputé au fauteuil roulant pour augmenter la stabilité.
- 2.** Vérifiez régulièrement les rougeurs de la peau et l'absence de points de pression. Si votre peau développe des rougeurs, arrêtez d'utiliser le produit et consultez votre médecin ou votre thérapeute.

Consignes de sécurité

Pour éviter toute blessure, veuillez lire, comprendre et suivre toutes les instructions et les avertissements du présent manuel avant d'installer et d'utiliser le coussin Spex. L'utilisation de fauteuils roulants et d'équipement adapté peut présenter certains risques. Une mauvaise utilisation de votre fauteuil roulant ou de votre coussin pourrait vous causer des blessures graves. Si votre coussin cesse de vous donner le rendement prévu, veuillez consulter immédiatement votre fournisseur autorisé de coussins Spex avant de continuer à l'utiliser. Tout incident grave survenu en relation avec ce produit doit être signalé à Spex Ltd.

Le coussin Spex satisfait aux exigences de la norme ISO 7176-16 Fauteuils roulants – résistance à l'inflammation des dispositifs de soutien de la posture. La housse et la mousse satisfont aux exigences d'inflammabilité du Bulletin technique 117 de la Californie. Dans de rares cas, les tissus utilisés dans ce produit peuvent provoquer une irritation cutanée pour les personnes à peau sensible. Si vous connaissez des rougeurs ou du prurit de la peau, consultez votre professionnel des soins de santé.

Dénégation de responsabilité: Spex n'assume aucune responsabilité quant à l'efficacité thérapeutique de ses produits. Nous prétendons seulement que nos produits peuvent procurer un positionnement et une assise sûrs et fiables sur l'équipement sur lequel ils sont installés.

Capacités maximales de l'utilisateur

- Coussin de 25,4 à 38 cm (10 à 15 po) : 90 kg (200 lb)
- Coussin de 41 à 51 cm (16 à 20 po) : 160 kg (350 lb)



AVERTISSEMENT

Ne jamais dépasser la capacité de votre coussin ou du fauteuil roulant telle que spécifiée par le fabricant de fauteuils roulants. Ne jamais s'entraîner à l'aide de poids d'exercice qui pourraient causer un dépassement de la capacité pondérale du fauteuil roulant.

Environnement

Humidité : Gardez votre coussin sec en tout temps, étant donné que le contact avec l'eau ou une humidité excessive peut altérer la fonctionnalité de votre coussin et même causer une détérioration de celui-ci. Si votre coussin devient humide ou mouillé, essuyez-le à fond dès que possible à l'aide d'un chiffon sec. N'utilisez pas votre coussin sous la douche ou à la piscine.

Température : Votre coussin peut ne pas se comporter comme prévu s'il est utilisé à des températures extrêmes. Gardez le coussin à l'écart des sources de chaleur ou de froid extrême afin d'éviter d'altérer la fonctionnalité de la mousse.

Saletés : De petites particules comme la poussière, la saleté et le sable peuvent réduire la fonctionnalité optimale. Lavez régulièrement la housse de votre coussin afin de prévenir toute accumulation de particules.

Compatibilité

- Le coussin Spex a été conçu pour être compatible avec la plupart des fauteuils roulants.
- Le coussin Spex doit être installé sur une base solide, comme un contenant de base solide ou un raidisseur de coussin, de manière à assurer plus de stabilité à l'utilisateur.



AVERTISSEMENT

IL Y A RISQUE D'ACCIDENT, DE BLESSURE, DE DOULEUR OU DE MORT SI L'ON NE TIENT PAS COMPTE DE CES AVERTISSEMENTS.

Demandez de l'aide si vous êtes incertain de l'un des points suivants :

1. **L'installation d'un coussin sur un fauteuil roulant peut déplacer le centre de gravité de celui-ci et le faire basculer vers l'arrière, au risque de causer des blessures ou la mort. Vérifiez si des roulettes anti-bascule ou autres dispositifs doivent être ajoutés à votre fauteuil roulant pour en augmenter la stabilité.**
2. **L'installation et le réglage de votre coussin Spex ne peuvent être effectués que par**
 - a) **un distributeur autorisé Spex ou un technicien**
 - b) **un professionnel de soins de santé qualifié qui a suivi une formation appropriée en biomécanique.**
3. **Le coussin Spex doit être installé sur une base solide. Un contenant de base de siège solide assurera plus de stabilité à l'utilisateur (le coussin ne va pas se déformer).**
4. **On doit essayer au préalable le coussin afin de déterminer si son efficacité répond aux besoins de l'utilisateur. Le clinicien doit examiner la peau de l'utilisateur afin de s'assurer qu'il n'apparaît pas de points de pression rouges.**
5. **L'utilisateur et/ou les dispensateurs de soins devraient vérifier régulièrement s'il n'y a pas de rougeurs de la peau ou de dégradation des tissus. Si des rougeurs apparaissent, cessez immédiatement d'utiliser le coussin et consultez votre médecin ou thérapeute. Le coussin pourra être reconfiguré pour un meilleur positionnement.**
6. **Avec une installation appropriée et un entretien continu, le coussin Spex convient parfaitement aux personnes susceptibles de contracter des ulcères de la peau, bien qu'aucun coussin ne puisse éliminer complètement la pression en position assise ou prévenir les ulcères de pression.**
7. **Gardez le coussin au sec. L'humidité est un des facteurs qui peuvent provoquer des ulcères de pression.**
8. **Nous recommandons à l'utilisateur d'avoir un bon régime alimentaire et de faire régulièrement des exercices de décompression ou de suivre une thérapie afin de prévenir les ulcères de pression.**
9. **Ne laissez pas le coussin Spex dehors toute la nuit ou à une température inférieure à 5 °C/41°F. Le coussin Spex devrait être à la température ambiante avant de s'y asseoir.**
10. **Évitez les objets pointus de même que l'exposition à une chaleur excessive ou une flamme nue.**
11. **Le coussin Spex a été conçu spécifiquement à l'intention des utilisateurs en fauteuil roulant de mobilité. N'utilisez aucunement le coussin d'une manière non décrite ici et ne le modifiez jamais.**
12. **N'utilisez jamais le coussin sans sa housse. Soyez prudent près d'une flamme nue ou d'une cigarette allumée. L'utilisation du coussin sans sa housse augmente le risque d'inflammation et de dommage à la peau.**
13. **N'utilisez jamais le coussin sans la housse d'incontinence, à défaut de quoi la durée de vie du coussin en serait réduite.**

Contenu du coussin

Votre coussin contient les pièces suivantes:

	Description	Quantité
A	Housse extérieure	1
B	Housse d'incontinence	1
C	Élément de mousse	1
D	Base de positionnement stratégique	1



Adaptation pour un autre utilisateur

Une fois que le premier utilisateur a fini d'utiliser le coussin Spex, celui-ci doit être remis à neuf et nettoyé à fond s'il est destiné à un autre utilisateur. On trouvera ci-dessous les lignes directrices de base pour la remise à neuf du coussin Spex. Spex n'assume aucune responsabilité quant à la contamination, l'infection croisée ou les dommages au coussin. Spex recommande d'utiliser des serviettes désinfectantes au PHA (peroxyde d'hydrogène activé). Le produit désinfectant doit être utilisé suivant les instructions du fabricant. Spex n'assume aucune responsabilité quant à l'efficacité du processus de désinfection.

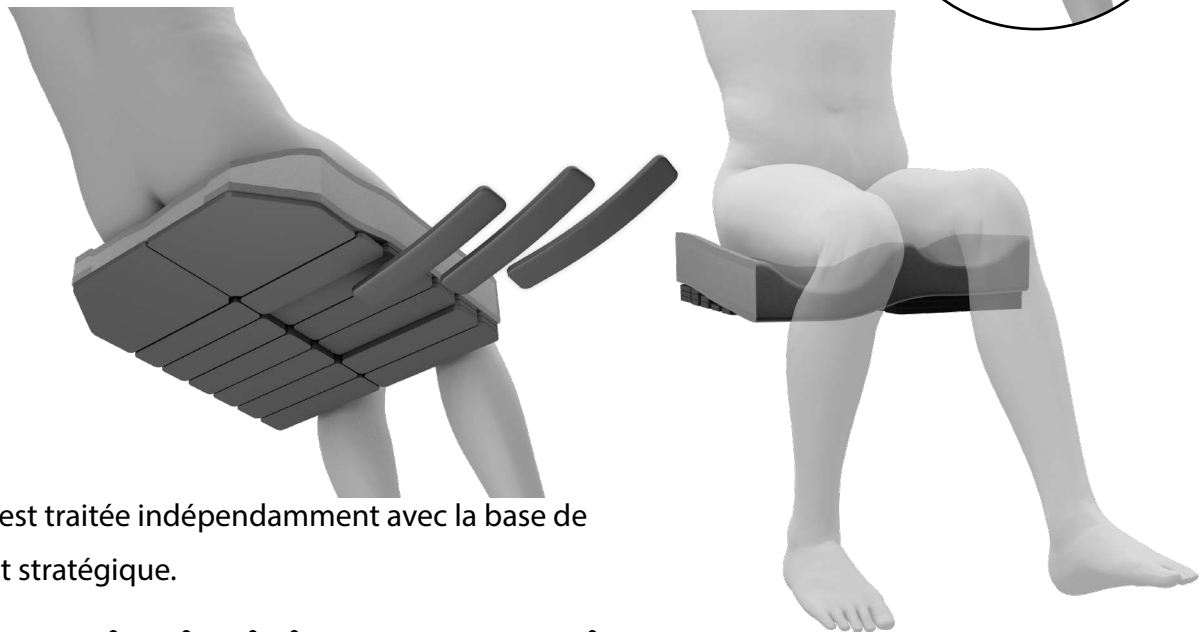
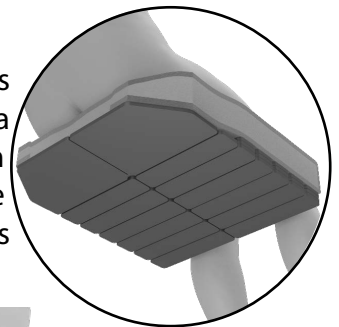
Pièce	Procédure
Vérification de sécurité	Vérifiez si tous les composants sont exempts de signes de tension ou de fissure.
Housses de garniture	La housse d'incontinence et la housse extérieure doivent être remplacées quel que soit leur état.
Base de positionnement stratégique	S'assurer que chaque pochette de profilage stratégique contient suffisamment de couches de mousse.
Mousse	Vérifiez si la mousse n'est pas dégradée et bien propre.

Élimination et recyclage

Votre ensemble de siège Spex a été fabriqué à partir d'une variété de matériaux, dont la plupart peuvent être recyclés. Une fois que votre coussin a atteint la fin de sa durée de vie, si vous êtes le propriétaire légal, ne le jetez pas avec les ordures ménagères ordinaires, mais apportez-le à un site de recyclage ou un point de collecte approuvé, afin qu'il soit éliminé en conformité avec les lois et règlements locaux. Une collecte et un recyclage séparés de l'ensemble Spex en vue de l'élimination assureront la protection de l'environnement et favoriseront la conservation des ressources naturelles.

Réglage de la base de positionnement stratégique

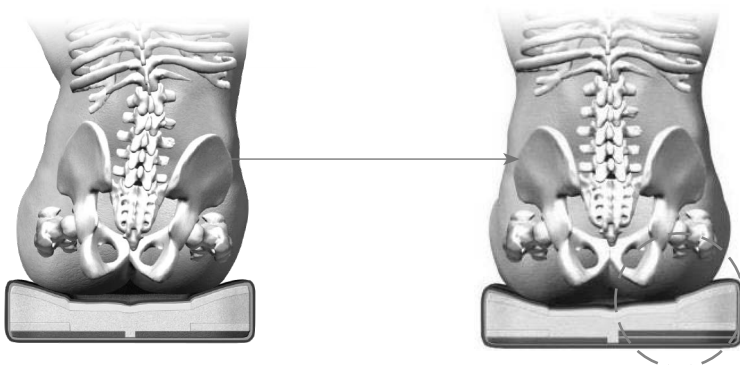
Le coussin Spex peut être configuré de façon à s'adapter à différentes postures de personnes ayant un handicap ou un problème à s'asseoir. Lorsqu'on ajuste la base de positionnement stratégique, la surface du coussin est profilée de façon à améliorer la posture globale, l'alignement du bassin, la capacité de s'asseoir, le confort et la réduction de pression. Si plus de profilage ou de support sont requis en raison d'asymétries, le coin de coussin de 5 degrés peut être requis.



Chaque jambe est traitée indépendamment avec la base de positionnement stratégique.

Réglage de l'obliquité pelvienne

Des pièces de coin peuvent être ajoutées ou enlevées à l'arrière des deux côtés de manière à corriger l'obliquité ou à s'y adapter. Aucun effet sur les couches de réduction de pression.



Aucun ajustement



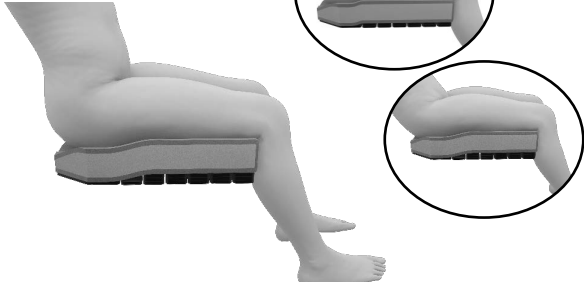
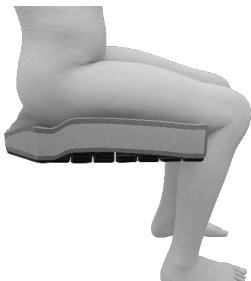
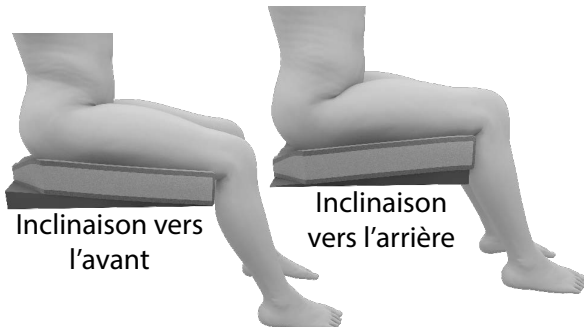
Éléments ajoutés sur le côté supérieur droit



AVERTISSEMENT

Les ajustements doivent être effectués par un clinicien certifié et expérimenté comme un médecin, un thérapeute ou un ingénieur en réhabilitation qui connaît les techniques pour asseoir et positionner une personne. Les ajustements doivent être effectués à partir d'une évaluation appropriée des besoins biomécaniques de l'utilisateur.

Configuration du coussin Spex

Images à des fins d'illustration seulement	Dénégation de responsabilité : Le résultat de l'évaluation clinique déterminera quelles options de coussin sont choisies pour satisfaire aux besoins de chaque client.
	<p>Positionnement et contrôle modérés</p> <p>Le coussin peut être configuré des deux côtés ou d'un seul côté indépendamment. Le coussin peut rester à plat si requis.</p>
	<p>Muscles ischio-jambiers serrés/flexion de la hanche limitée/inclinaison postérieure du bassin</p> <p>On peut ajuster le coussin en coin pour l'incliner vers l'avant en ajoutant des pièces à l'arrière et en retirant à l'avant.</p>
	<p>Gestion et positionnement</p> <p>Ajouter des pièces sous les cuisses pour améliorer le soutien pré-ischion et le contrôle.</p>
	<p>Rotation du bassin</p> <p>Pour mieux contrôler la rotation du bassin, ajouter des épaisseurs sous la jambe visée (devant l'ischion).</p>
 <p>Inclinaison vers l'avant</p> <p>Inclinaison vers l'arrière</p>	<p>Besoin de plus de soutien ou de profilage ?</p> <p>Utilisez notre coin de coussin 5° (degrés) pour plus de soutien si nécessaire. On peut en utiliser un pour une jambe, ou deux pour les deux jambes si nécessaire. On peut positionner le coin pour créer une pente soit vers l'arrière soit vers l'avant, selon le positionnement requis par l'utilisateur.</p>

Autres conseils pour la configuration

Les configurations doivent être fondées sur un diagnostic et une évaluation biomécanique de l'utilisateur.

- 1.** Inclinaison du bassin vers l'avant : Laissez le coussin à plat ou soulevez-le légèrement à l'avant pour un alignement neutre ou favoriser l'appui du poids du corps sur les tubérosités ischiatiques.
- 2.** Réflexe des allongeurs : Augmentez la flexion de la hanche et du genou en ajoutant du support sous l'avant des cuisses.
- 3.** Obliquité du bassin : Augmentez l'épaisseur sous le côté plus bas pour corriger ou sous le côté plus haut pour l'adapter.

Mise en place du coussin

- 1.** Positionnez le coussin à environ 12 mm (1/2 po) devant le bord avant du récipient de la base du siège de façon à protéger les jambes de l'utilisateur.
- 2.** Le devant du coussin doit être orienté vers l'avant en tout temps.
- 3.** Vérifiez les dimensions du coussin. Le coussin doit soutenir pleinement la base de l'utilisateur. Un coussin trop long, par exemple, forcerait l'utilisateur à s'asseoir avec le bassin incliné vers l'arrière.
- 4.** Les côtés du coussin doivent être toujours parallèles aux rails de fixation du siège au cadre du fauteuil roulant.
- 5.** Un réglage approprié de l'appui-pieds peut améliorer le confort en position assise. Ajustez les appuis-pied de façon à ce que les jambes de l'utilisateur reposent fermement mais confortablement sur le coussin.

Entretien et nettoyage

Un nettoyage mensuel et un entretien régulier aideront à prolonger la durée de vie du coussin. La durée de vie prévue du coussin est de 5 ans, s'il est vérifié régulièrement au point de vue rendement. Spex recommande d'utiliser des serviettes désinfectantes au PHA (peroxyde d'hydrogène activé). Le produit désinfectant doit être utilisé selon les instructions du fabricant. Spex n'assume aucune responsabilité quant à l'efficacité du procédé de désinfection.



AVERTISSEMENT

- Après le lavage, la housse doit être remise en place correctement, c'est-à-dire que l'arrière de la housse doit correspondre à l'arrière de la base de mousse.
- Si les housses sont utilisées dans une institution, écrivez le nom du résident à l'aide d'un marqueur permanent sur l'étiquette de contenu des housses, afin d'assurer le retour des housses au bon destinataire après le lavage.
- N'utilisez que des housses Spex sur des coussins Spex. Un changement de housse ou l'utilisation de matériaux différents pourraient modifier le concept et causer une douleur ou des problèmes de pression à l'utilisateur.

Mousse

- Gardez la mousse au sec.
- Vérifiez régulièrement la base de mousse pour s'assurer de sa consistance.
- Si la mousse est mouillée accidentellement, asséchez-la complètement avant de remettre les housses.

Housse d'incontinence

- Lavez-la à la main seulement.
- N'utilisez pas de javelle ni d'autres produits de nettoyage puissants.
- N'asséchez pas la housse par culbutage.
- L'omission d'utiliser cette housse peut réduire la durée de vie du coussin.

Housse extérieure

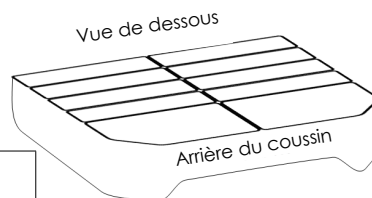
- Enlevez la housse de la base de mousse et retournez-la complètement.
- Lavez la housse à la machine à l'eau tiède (40° C/104° F).
- Laissez égoutter ou séchez par culbutage à basse température.
- Pas de repassage, pas de nettoyage à sec ni de javellisant.
- Si des produits de nettoyage chimiques sont utilisés, rincez les housses à fond à l'eau pour enlever tous les résidus chimiques et laissez-les sécher complètement avant de les réutiliser.
- Vérifiez si les housses ne sont pas déchirées ou trop usées et remplacez-les si elles sont effilochées, déchirées ou non pleinement fonctionnelles pour quelque raison.



Si vous avez des questions supplémentaires au sujet des méthodes de nettoyage, veuillez communiquer avec votre détaillant de sièges autorisé Spex.

Tableau de la base stratégique du coussin

Une fois que votre coussin Spex est installé dans une position optimale, utilisez le tableau ci-dessous pour enregistrer le nombre de cubes de profilage dans chaque cellule. Marquez d'un X les cellules non utilisées ou non disponibles.



Date de l'évaluation	
Nom du clinicien	
Nom du client	
Notes	

Avant du coussin – Vue de dessous

Jambe droite de l'utilisateur

Jambe gauche de l'utilisateur

Arrière du coussin - Vue de dessous

Transport sécuritaire

Le système de siège Spex a subi avec succès un essai de collision et est conforme à la norme RESNA WC-4:2012, section 20. Le système de siège Spex satisfait aux exigences de la norme ISO 16840-4 :2009 et convient comme siège d'un véhicule moteur lorsqu'il est utilisé avec une base de fauteuil roulant appropriée. Veuillez suivre toutes les instructions d'installation, d'utilisation et d'entretien contenues dans le présent manuel, ainsi que les instructions suivantes pour le transport. Quand c'est possible, l'utilisateur du fauteuil roulant devrait passer au siège du véhicule et utiliser les systèmes de contrainte de l'occupant installés dans le véhicule.

Le système de siège Spex a été conçu pour permettre l'usage approprié des ceintures de contrainte ancrées au véhicule. Spex a obtenu la cote Excellent (soit 16 sur 16) pour la facilité de positionner correctement une ceinture de contrainte, ainsi que le degré auquel la contrainte appropriée de la ceinture peut être obtenue, selon les méthodes de l'annexe D. Les composantes suivantes du système de siège Spex ont été testées et conviennent pour un usage approprié dans un véhicule moteur :

- Modèles pleine hauteur de soutien du dos
- Base de siège
- Modèles de coussins
- Soutiens des bras et des cuisses
- Supports latéraux du tronc
- Têtières

Note : Les supports du dos qui sont plus bas que la hauteur de l'épaule de l'utilisateur ne sont pas certifiés et ne sont pas recommandés pour le transport dans un véhicule. Exemples : supports de dos Vigour Lo et Vigour mid.

Assemblage, utilisation, entretien et limites

- Les réglages de l'installation d'un fauteuil roulant ne peuvent être effectués que par un thérapeute professionnel ou un technicien en positionnement assis qualifié. Les systèmes profilés sur demande ou sur mesure peuvent nécessiter une configuration et une installation par un professionnel qualifié.
- Après avoir effectué certains réglages, assurez-vous de nouveau que tous les boulons, vis et écrous soient bien serrés afin de fournir un transport sécuritaire dans un véhicule.
- Assurez-vous que les supports du dessus et du fond de l'appui-dos et que les supports avant et arrière du contenant du siège sont aussi éloignés que possible l'un de l'autre afin de fournir une fixation à 4 points plus solide au cadre du fauteuil roulant. Assurez-vous que les systèmes de verrouillage rapide sont engagés.
- N'utilisez pas le système de siège Spex comme siège de véhicule si les composants du siège qui n'ont pas subi avec succès l'essai de collision sont utilisés quelque part sur le système de siège. Le système de siège Spex a été conçu et certifié seulement à l'aide de composants Spex. Spex n'assume aucune responsabilité dans les cas où d'autres systèmes de siège fabriqués seraient utilisés conjointement avec le système de siège Spex.
- À intervalles réguliers, vérifiez si toutes les attaches du système de siège Spex ne se sont pas desserrées durant l'utilisation quotidienne et resserrez-les si nécessaire.
- Assurez-vous que les côtés rabattables sont dans leur position verrouillée avant d'utiliser le siège comme siège de véhicule dans un véhicule moteur.

Transport sécuritaire

Positionnement correct des ceintures de contrainte

Lorsqu'on utilise le système de siège Spex comme siège d'un véhicule, la ceinture de contrainte pelvienne et la ceinture de contrainte d'épaule doivent toujours être utilisées. Pour positionner correctement les ceintures de contrainte sur le fauteuil roulant de l'occupant, il faut vérifier les points suivants :

- La ceinture de contrainte pelvienne devrait être portée au bas à l'avant du bassin, près des jonctions du bassin et des cuisses.
- L'angle de la ceinture de contrainte devrait être compris entre 30° et 75° par rapport à l'horizontale et, idéalement, entre 45° et 75° par rapport à l'horizontale (comme le montre la Figure 2).
- La boucle de la ceinture de contrainte des ceintures de contrainte à trois points devrait être située en contact avec le corps de l'occupant et à l'écart des composants du fauteuil roulant.
- La jonction de la ceinture de contrainte diagonale et des ceintures de contrainte pelviennes à trois points devrait être située près de la hanche opposée à l'épaule sur laquelle la ceinture diagonale traverse et non pas près de la ligne médiane de l'occupant.
- Les ceintures de contrainte ne devraient pas être acheminées à l'extérieur des roues du fauteuil roulant ni par-dessus les appui-bras du fauteuil roulant, et ne devraient pas être tenues à l'écart du corps par des composants ou pièces du fauteuil roulant.
- Les ceintures de contrainte supérieures du torse devraient être placées directement au-dessus du milieu de l'épaule et en contact avec celle-ci.
- Les ceintures de contrainte devraient être ajustées aussi serrées que possible, tout en tenant compte du confort de l'utilisateur.
- Les ceintures de contrainte ne devraient pas être portées tordues d'une manière qui réduit la surface de contact du tissu de la ceinture avec l'occupant.

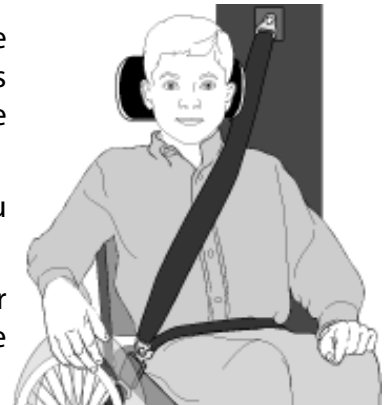


Figure 1

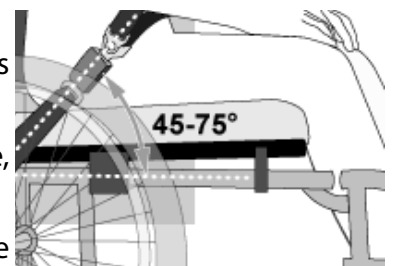


Figure 2



Figure 3a – Positionnement incorrect des ceintures de contrainte pelviennes sur les supports du fauteuil roulant.

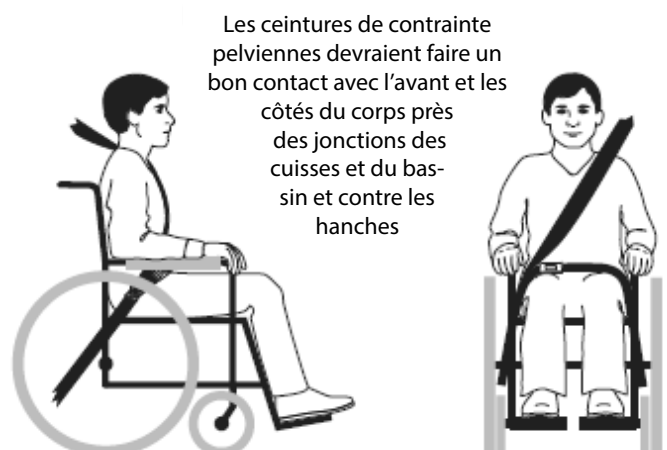


Figure 3b – Acheminement et positionnement corrects des ceintures de contrainte sur l'occupant du fauteuil roulant.

**AVERTISSEMENT**

- 1. La distance entre le dessus de l'épaule de l'utilisateur et le haut du dos ne devrait pas dépasser 16,5 cm (6,5 po).**
- 2. Le système de siège Spex doit être utilisé seulement avec des bases de fauteuil roulant qui ont été testées comme partie d'un système de fauteuil roulant qui est conforme au rendement exigé par les normes ISO 7176-19 et RESNA WC-4 :2012, section 19.**
- 3. Le système de siège Spex devrait être utilisé seulement sur des cadres de fauteuil roulant qui fournissent quatre points de fixation et points d'ancrage de la ceinture pelvienne, conformément aux exigences de la section 19 de la norme RESNA WC-4 :2012.**
- 4. Le fauteuil roulant doit être homologué comme étant approprié pour utilisation comme siège dans un véhicule moteur, testé dynamiquement selon le rendement exigé par la norme ISO 7176-19, et installé, utilisé et entretenu selon les instructions du fabricant.**
- 5. Le système de siège Spex doit être utilisé seulement comme c'est indiqué dans le présent manuel de l'utilisateur.**
- 6. Des ceintures de contrainte pelvienne et diagonale – faisant partie d'un Système complet d'Attache du Fauteuil Roulant et de Retenue de l'Occupant (SAFRRO) satisfaisant à la norme ISO 10542-1 – doivent être utilisées toutes deux pour réaliser une contrainte efficace de l'occupant et une protection optimale en cas de choc de véhicules; les ceintures de contrainte devraient être compatibles avec le fauteuil roulant particulier et installées sur l'utilisateur selon les instructions du fabricant du SAFRRO.**
- 7. Les supports de dos ayant des angles d'inclinaison réglables ne devraient pas être inclinés vers l'arrière de plus de 30° par rapport à la verticale durant un déplacement dans un véhicule, sauf si c'est nécessaire pour des besoins médicaux et posturaux de l'occupant.**
- 8. Si l'appui-dos doit être réglé à un angle supérieur à 30° par rapport à la verticale durant un déplacement, le point d'ancrage supérieur de la ceinture diagonale devrait être ajusté vers l'arrière de façon à maintenir la ceinture en contact avec l'épaule et la poitrine de l'occupant.**

**AVERTISSEMENT**

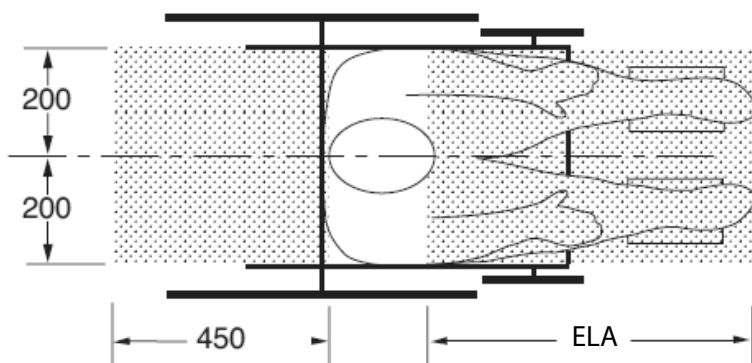
9. **Le système de siège Spex doit être utilisé seulement pour un passager assis tourné vers l'avant dans un véhicule moteur.**
10. **Afin de réduire les risques de blessures aux occupants d'un véhicule, les plateaux rigides montés sur le fauteuil roulant, qui ne sont pas conçus spécifiquement pour être utilisés pendant un déplacement dans un véhicule moteur, doivent être :**
 - a. **enlevés et fixés séparément dans le véhicule ou**
 - b. **fixés au fauteuil roulant de façon à ce qu'ils ne se brisent pas en pièces en cas de collision et**
 - **positionnés avec un écart d'au moins 75 mm entre le bord arrière du plateau et l'abdomen ou la poitrine de l'occupant du fauteuil roulant, de façon à ne pas interférer avec l'usage de la ceinture de contrainte appropriée, et**
 - **munis d'un coussin à absorption d'énergie placé entre le bord arrière du plateau et l'occupant du fauteuil roulant.**
11. **Aucune altération ou substitution de la structure du système de siège ne peut être faite sans une consultation préalable avec Spex.**
12. **L'utilisation durant un déplacement d'une ceinture pelvienne posturale fixée à la base du fauteuil roulant ou au cadre du siège est souhaitable, à la condition que de telles ceintures soient positionnées de façon à ne pas nuire au positionnement approprié des ceintures de contrainte anti-crash, et qu'on ne s'y fie pas comme protection de l'occupant en cas de collision, à moins que la ceinture posturale n'ait été conçue pour être tout à fait conforme aux exigences de WC19.**
13. **Les dispositifs de soutien posturaux qui ne sont pas homologués comme étant conformes à la norme ISO 16840-4 peuvent être utilisés pour un déplacement en véhicule, mais on ne doit pas s'y fier pour la retenue de l'occupant.**

**AVERTISSEMENT**

14. Les ceintures de contrainte pelvienne et diagonale qui sont conformes à WC18 et/ou WC19 devraient être utilisées pour limiter le mouvement de l'occupant au cours d'une collision et réduire la possibilité d'éjection de l'occupant hors du véhicule et/ou de contact préjudiciable de l'occupant avec l'intérieur du véhicule.
15. Les ceintures de contrainte devraient être positionnées sur l'occupant du fauteuil roulant en conformité avec les instructions du fabricant du SAFRRO (Système d'Attache du Fauteuil Roulant et de Retenue de l'Occupant).
16. Les ferrures de montage de l'appui-dos doivent être installés correctement. Reportez-vous à la section appropriée pour voir les instructions de montage correctes des ferrures de l'appui-dos.
17. Lorsque le fauteuil roulant est occupé pendant qu'il est transporté, il doit toujours être fixé au SAFRRO.
18. Les enfants dont le poids est inférieur à 22 kg (48,5 lb) devraient être transférés de leur système de siège à un système de retenue d'enfant approprié conçu pour utilisation dans les véhicules moteur.
19. Un espace libre suffisant à l'avant et à l'arrière doit être prévu autour de l'occupant du fauteuil roulant. L'espace libre avant (ELA) doit être plus grand lorsqu'une ceinture de contrainte diagonale n'est pas utilisée.

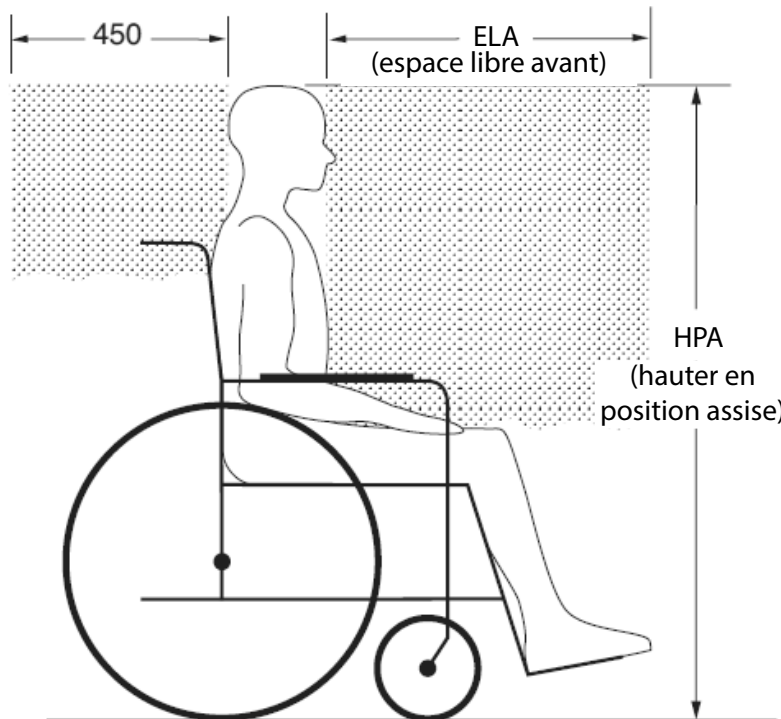
L'OMISSION DE TENIR COMPTE DE CES AVERTISSEMENTS POURRAIT ENTRAÎNER DES BLESSURES GRAVES À L'UTILISATEUR DU FAUTEUIL ROULANT OU À D'AUTRES.

VUE DE DESSUS



NOTES: L'espace libre arrière se mesure à partir du point le plus arrière de la tête de l'occupant. L'espace libre avant (ELA) se mesure à partir du point le plus avant de la tête de l'occupant.

La hauteur en position assise (HPA) va d'environ 120 cm (47 po) pour une femme adulte de petite taille à environ 155 cm (61 po) pour un homme adulte de grande taille.

**AVERTISSEMENT**

VUE DE DESSUS

ELA = 65 cm (25,5 po) avec ceinture de torse supérieur
 = 95 cm (37 po) avec ceinture pelvienne seulement

NOTE : Il est fortement recommandé que les ceintures pelviennes et de torse supérieure soient utilisées toutes les deux.

Espaces libres avant et arrière recommandés pour un occupant assis dans un fauteuil roulant.
 (Note : L'espace libre avant (ELA) peut ne pas être possible pour un conducteur assis dans le fauteuil roulant).

Garantie

Chaque coussin Spex est inspecté soigneusement afin de fournir le rendement optimal et est garanti être exempt de tout défaut de matériau ou de fabrication pour une période de 24 mois à compter de la date d'achat, sous réserve d'un usage normal. Advenant qu'un défaut de matériau ou de fabrication survienne en deçà de 24 mois de la date originale d'achat, Spex s'engage à réparer ou à remplacer, à sa discrétion, l'article sans frais. Cette garantie s'applique aux composants du coussin incluant la housse extérieure, la housse d'incontinence, l'élément de mousse et la base de positionnement stratégique. Cette garantie ne s'applique pas à une usure ou un usage général, incluant perforations, déchirures ou brûlures, ni à la housse extérieure amovible du coussin.

Les réclamations et les réparations devraient être traitées par l'intermédiaire de votre détaillant le plus rapproché. À l'exception des garanties expresses énoncées aux présentes, toute autre garantie, incluant les garanties implicites de qualité marchande et les garanties de convenance à un usage particulier, est exclue. Il n'y a aucune autre garantie qui dépasse la description faite aux présentes. Les recours pour bris de garantie expresse se limitent à la réparation ou au remplacement des marchandises. En aucun cas les dommages subis par le bris de quelque garantie n'incluront les dommages indirects et ne dépasseront le coût des marchandises non conformes vendues.

Vous pouvez voir le numéro de série de votre coussin à l'arrière de la housse de celui-ci.



32 Detroit Drive
 Rolleston 7675
 New Zealand



spex

Spex Ltd

Phone +64 3 307 9790

Fax +64 3 307 2820

fasterresults@spexseating.com

www.spexseating.com

Distributed in Canada by:

Distribué au Canada par:

Sunrise Medical Canada Inc.

237 Romina Drive, Unit 3

Concord, Ontario L4K 4V3

1-800-263-3390

www.sunrisemedical.ca