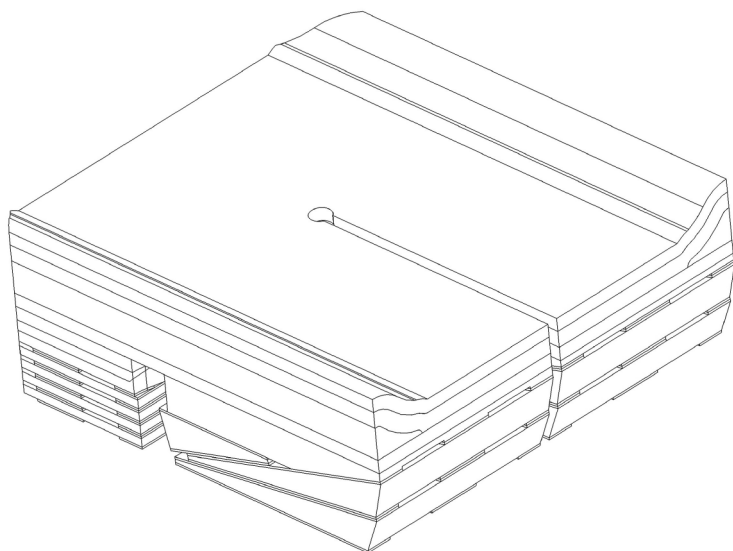


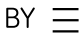
User Manual for all Flex Cushions (product code begins with '1106-')

Revision: FlexCushion20211129_JAY

Manuel pour tous les coussins Spex (code de produit commençant par 1106).

Révision: FlexCushion20211129_JAY



spex
BY  **JAY**[®]

Flex Cushion
Coussin Flex

Installation & User Manual
Manuel de l'utilisateur et installation

IMPORTANT CONSUMER INFORMATION NOTICE:

This manual contains important instructions that must be passed on to the user of this product. Please do not remove this user manual before delivery to the end user.

SUPPLIER: This manual must be given to the user of this product.

USER/CAREGIVER: Before using this product, read entire manual and save for future reference. Transit Safety section **MUST** be read before cushion is used in a vehicle.

MD: This product is a Medical Device.

RENSEIGNEMENTS IMPORTANTS POUR L'UTILISATEUR :

Le présent manuel contient des instructions importantes qui doivent être transmises à l'utilisateur de ce produit. Ne pas retirer ce manuel de l'utilisateur avant la livraison du produit à l'utilisateur final.

FOURNISSEUR : Ce manuel doit être remis à l'utilisateur de ce produit.

UTILISATEUR/DISPENSATEUR DE SOINS : Avant d'utiliser ce produit, veuillez lire le manuel au complet et le conserver pour référence ultérieure. Il **FAUT** lire la section Transport sécuritaire avant d'utiliser l'appui-dos dans un véhicule.

MD : Ce produit est un dispositif médical.

User Name / Nom de l'utilisateur:

Serial Number / Numéro de série:

Contents:

Introduction	2
Intended Use	3
Contraindications	3
Safety Instructions	3
Weight Capacity	4
Environment	4
Compatibility	5
Warnings	5
Flex Cushion Contents	6
Re-issuing to Another User	6
Disposal & Recycling	6
Adjusting the Flex Cushion	7
Configuring the Flex Cushion	9
Other Configuring Tips	10
Fitting the Cushion	11
Maintenance & Cleaning	12
Cushion Strategic Base Chart	13
Transit Safety – Assembly, Use, Maintenance & Limitations	14
Transit Safety – Correct Positioning of Belt Restraints	15
Warnings	16
Warranty	19

Introduction

The Flex Cushion is a contoured, modular and adjustable cushion for users with symmetrical or asymmetrical limited hip flexions and extensions. It is designed for supporting the pelvis and legs correctly for users with pelvic obliquities, internal and external rotations, while offering skin protection. The strategic positioning system used underneath enables easy and on-the-spot adjustment.

Note: Check all parts are free from shipping damage. Contact Spex or your supplier for further instructions if needed. Spex recommends that a clinician such as an Occupational Therapist or Physiotherapist who is skilled in wheelchair seating and positioning be consulted to determine if the Flex Cushion is appropriate for the user.

Flex Cushion is an excellent choice for individuals who:

- Have symmetrical or asymmetrical limited hip flexion
- Have internal hip rotation with tight hamstrings on one side
- Require pelvic and thigh pressure distribution due to asymmetric sitting posture
- Have changing postural needs over time
- Require a high degree of pelvic stability and specific contouring

Intended Use

Spex Seating is intended for users (disabled and/or discomforted) that require specific postural and positioning support to provide comfort for body function in a sitting posture on wheelchairs for daily activities and for transportation in vehicles. It is designed with ergonomic adjustments to provide improved personal body-posture conditions and/or to help prevent/reduce physical problems associated with sedentary work or activities.

Contraindications

1. Use of Spex Wheelchair seating products may affect the center of gravity causing the Wheelchair to tip, potentially causing injury. Always judge the need for anti-tippers or amputee axle adapter brackets to be added to the Wheelchair to increase stability.
2. Check regularly for skin redness and that pressure spots are not developing. If your skin develops redness, stop using the product and consult your doctor or therapist.

Safety Instructions

To avoid injury, read, understand and follow all instructions and warnings in this manual before installing and using the Flex Cushion. There are hazards associated with the use of wheelchairs and adaptive equipment. If you misuse your wheelchair or your Cushion you can be seriously injured. If your Cushion ceases to function as intended, please consult your authorized Spex seating supplier immediately before continuing to use. Any serious incident that has occurred in relation to this product should be reported to Spex Ltd.

Flex Cushion meets the requirements of ISO 7176-16; wheelchairs - resistance to ignition of postural support devices. The cover and foam meet the flammability requirements of California Technical Bulletin 117. In rare cases the fabrics used in this product may cause a skin irritation for people with sensitive skin. If you experience any reddening or itching of the skin consult with your health care professional.

Disclaimer: Spex takes no responsibility as to the therapeutic effectiveness of our products. Our claims relate to the ability of the products to provide safe and reliable positioning and seating on the equipment onto which they are installed.

Weight Capacity

- 12-15" (25.4 -38 cm) width Cushion maximum user weight: **200 lbs. (90 kg)**
- 16-20" (41-51 cm) width Cushion maximum user weight: **350 lbs. (160 kg)**



WARNING

Never exceed the weight capacity of your cushion or the wheelchair as specified by the wheelchair manufacturer. Never perform exercise weight training that causes the user to exceed the weight capacity of the wheelchair. Ensure that the cushion is effectively secured in place, before carrying out a transfers. Only use foam wedges, inserts and covers provided by Spex.

Environment

Moisture: Keep your Cushion dry at all times, as contact with water or excess moisture could cause degradation to the functionality of your Cushion, or potential failure. If your Cushion becomes damp or wet, thoroughly wipe with a dry cloth as soon as possible. Do not use your Cushion in a showering or pool facility.

Temperature: Your Cushion may not function as intended when used at extreme temperatures. Keep the Cushion away from sources of extreme heat or extreme cold to avoid change in functionality of the foam.

Dirt: Small particles such as dust, dirt and sand may restrict optimum functionality. Regularly wash your Cushion cover to ensure no build-up occurs.

Compatibility

- The Flex Cushion has been designed to be compatible with most wheelchairs.
- The Flex Cushion must have a solid base to install to, such as a solid seat base pan or cushion rigidizer, which provides more stability to the user. Solid seat base must have hook velcro attached to it to ensure the cushion is held in place during use.



WARNING

RISK OF ACCIDENT, INJURY, PAIN OR DEATH IF WARNINGS ARE NOT HEEDED

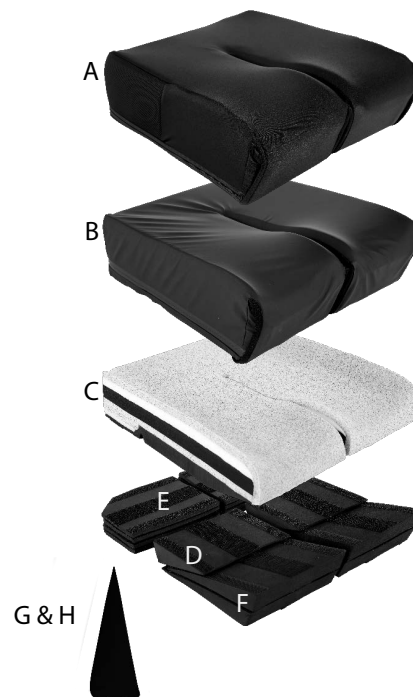
Seek assistance if you are uncertain about any of the following points

- 1. Installing a Cushion on a wheelchair may disturb the wheelchair's centre of gravity and cause the wheelchair to tip backwards potentially resulting in injury or death. Check if anti-tippers or other adaptations need to be added to the wheelchair to help increase stability.**
- 2. Installation and adjustment of your Flex Cushion must only be performed by**
 - a) An authorized Spex distributor or technician**
 - b) A qualified healthcare professional who has undergone appropriate biomechanical training**
- 3. The Flex Cushion must have a solid base to install to. A solid seat base pan will provide more stability to the user (the Cushion won't sag).**
- 4. This Cushion must be trialed first to determine its effectiveness in meeting the needs of the user. The clinician must inspect the user's skin to ensure that red pressure spots are not developing.**
- 5. The user and/or caregivers should regularly check for skin redness or tissue breakdown. If redness develops, discontinue the use of the Cushion immediately and consult your doctor or therapist. The Cushion can be reconfigured for better positioning.**
- 6. With proper set-up and continued maintenance, the Flex Cushion is an excellent candidate for people who are at risk of skin breakdown, however no Cushion can completely eliminate sitting pressure or prevent pressure injuries.**
- 7. Keep the Cushion dry. Moisture is a contributing factor in causing pressure injuries.**
- 8. We recommend the user to have a good diet and have regular pressure relieving exercises/therapy to help prevent pressure injuries.**
- 9. Do not leave the Flex Cushion outside overnight or at temperatures below 5° C/41° F. The Flex Cushion should be room temperature before sitting on it.**
- 10. Avoid sharp objects or exposure to excessive heat or open flame.**
- 11. The Flex Cushion has been specifically designed as a Cushion for users in mobility wheelchairs. Do not use the Cushion in any way not described and never modify the Cushion.**
- 12. Never use the Cushion without its cover. Care should be exercised near open flame or burning cigarettes. Using the Cushion without its cover increases the risk of flammability and skin damage.**
- 13. Never use the Cushion without the incontinence cover. Failure to do so will reduce the life of the Cushion.**

Cushion Contents

Your Cushion contains the following:

	Description	Quantity
A	Outer cover	1
B	Incontinence cover	1
C	Foam Unit	1
D	Front Facing Wedges	1L & 1R
E	Pelvic Obliquity Pads	
	Cushions up to 15" depth	5L & 5R
	Cushions 16" depth and larger	6L & 6R
F	Thigh Wedges	3L & 3R
G	Abduction Wedges	2
H	Abduction Wedge Cover	1



Re-issuing to Another User

Once the user has finished using the Flex Cushion, it must be refurbished and thoroughly cleaned if it is issued to another user. Below are the strict guidelines for refurbishing the Flex Cushion. Spex takes no responsibility for contamination, cross infection, or damage. Spex recommends using AHP (Accelerated Hydrogen Peroxide) disinfectant wipes. The disinfection product must be used as per the manufacturer instructions. Spex takes no responsibility for the effectiveness of the disinfecting process.

Part	Procedure
Safety check	All components to be checked for signs of stress or cracking.
Upholstery covers	Both the incontinence cover and outer cover must be replaced regardless of condition.
Strategic positioning Wedges & Pads	Ensure correct number of wedges and pads are supplied and all Velcro's are in good condition.
Foam	Foam should be checked for degradation and cleanliness.

Disposal & Recycling

Your Spex Seating System is manufactured using a variety of materials, of which most can be recycled. Once it reaches the end of its life, if you are the legal owner, do not dispose of as ordinary household waste but take your Flex cushion to an approved recycling or collection point, to dispose of according to local laws and regulations.

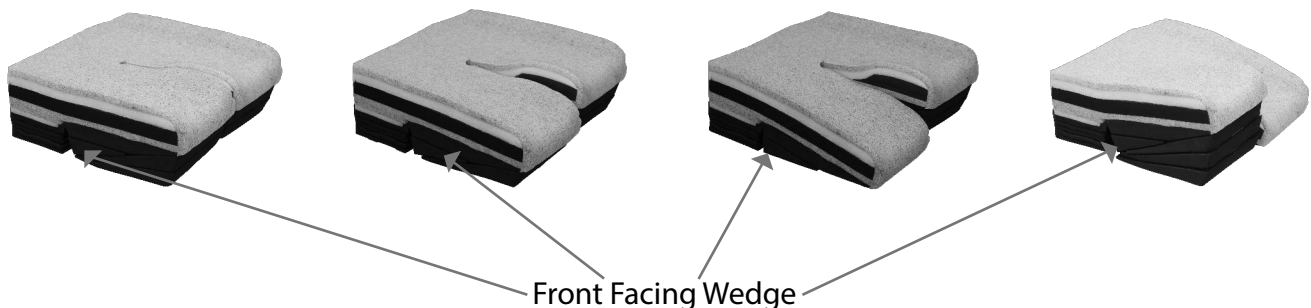
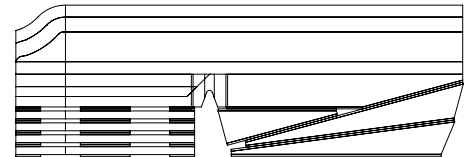
Separate collection and recycling of the Spex System when disposing ensures protection of the environment and assists with natural resource conservation.

Adjusting the Flex Cushion

The Flex Cushion can be configured to suit many different postures of persons with disabilities or sitting issues. By adjusting the strategic positioning base with wedges and pads, the Cushion surface can be contoured to improve overall posture, pelvic alignment, sitting ability, comfort and pressure reduction. Due to the adjustable nature of the Flex Cushion we recommend, initial assessment / configuration of the Cushion is carried out without the covers. Having a clear view and access to positioning base, wedges and pads will assist with the optimum setup of the Cushion. Once the optimal configuration is achieved both the outer and inner covers **MUST** be put back on the Cushion. The Flex Cushion must not be used without covers.

Thigh Wedge:

The angle of the thigh section can be changed by adding or removing the wedges under each thigh. Each wedge represents approximately 7° of adjustment. Ensure the Velcro on the wedges securely interlock before use.



It is imperative that the Front facing wedge shown above must never be removed from the Cushion.

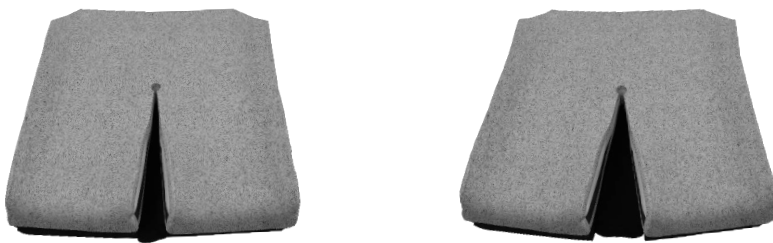
WARNING

- Adjustments to be done by a certified and experienced clinician such as a doctor, therapist or rehab engineer who is skilled in seating and positioning. Adjustments must be done following a proper assessment of the user's needs.
- Flex Cushion must not be used without covers.

Adjusting the Flex Cushion

Abduction Wedge:

Abduction wedges can be used to abduct the Flex Cushion. The wedges are 10°, but abduction angle of the thigh section can be changed by adding or removing the abduction wedges or by trimming the abduction wedges to required angle. Once the required angle is achieved ensure the abduction cover is placed over the wedges and the abduction wedge is securely attached to the Cushion covers.



Wind-sweeping and Asymmetrical Abduction/ Internal and External Rotations:

Pelvic rotation or abduction, internal and external rotation of one leg can also be allowed for by setting the position of one leg, using the velcro underneath, and then inserting the required abduction wedges.



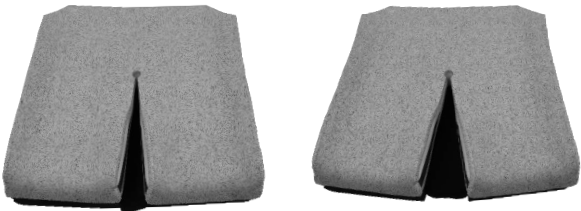
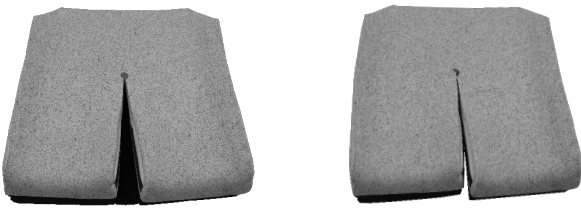
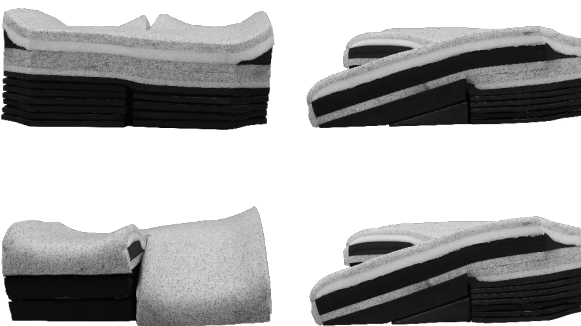


Pelvic Obliquity Adjustment:

The rear section of the Flex Cushion can be configured by adding or removing the Velcro pads or side wedges to correct or accommodate obliquity.



Configuring the Flex Cushion

<p>Images are for illustrative purposes only</p>	<p>Disclaimer: The clinical evaluation assessment will determine which Cushion options are chosen to meet each client's needs.</p>
	<p>Thigh positioning and control</p> <p>The thigh section can be configured on both sides or either side independently for flexion or extension or can remain flat if required.</p>
	<p>Tight hamstrings/limited hip flexion/posterior pelvic tilt</p> <p>The front wedges can be added or removed to accommodate flexion or extension.</p>
	<p>Abduction</p> <p>Add, remove or trim the abduction wedges to accommodate thigh abduction.</p>
	<p>Wind-sweeping and Asymmetrical Abduction/ Internal and External Rotations:</p> <p>'Secure the rear section with the Velcro section and flex the front leg sections laterally to accommodate rotations. To accommodate asymmetric abduction, set one leg (using the velcro) and then add or remove abduction wedges.'</p>
	<p>Pelvic obliquity</p> <p>Add or remove rear pads or side wedges to configure rear section of the Flex Cushion.</p>

Other Configuring Tips

Configurations must depend on biomechanical evaluation and assessment.

- 1.** Anterior pelvic tilt: Leave Cushion flat or slightly raise front of Cushion for neutral alignment of the pelvis and/or promote weight bearing on ischial tuberosities.
- 2.** Extensor thrust: Increase hip and knee flexion by building more support under front of thighs.
- 3.** Pelvic obliquity: Build-up under low side to correct, under high side to accommodate.

NOTE: In all the above situations, adjust the back support and foot plates to fit.

Covering the Cushion

The Flex cushion is provided with two covers which must both be used; incontinence and outer. The abduction wedges are also provided with a cover which must be used if abduction is required from the cushion.

Once the adjustments are made to the cushion wedges, after assessing the user, the incontinence cover must be put on (ensure the velcro side is on the bottom). Insert each leg of the cushion and zip the cover up. The covers have two flaps at the front of the cushion, these are to be pulled tight, if wedges have been removed you may have to fold some of the cover under the cushion.

WARNING

Ensure that there are no wrinkles, folds and creases on top or front of the cushion



Repeat the process for the outer cover.



Fitting the Cushion

- 1.** Position the Cushion about 12mm (0.47") forward of the front edge of the seat base pan to protect the user's legs.
- 2.** Labels on the Cushion and covers show the BACK. The BACK label on the Cushion must face rearwards at all times.
- 3.** Check the size of the Cushion. The Cushion must fully support the base of the user. If a Cushion is too long it may force the user to sit with a posteriorly tilted pelvis. If hip flexion or extension is required, a long cushion may force the client to sit on the edge where the pivot point is located, which is not ideal from a pressure management and comfort perspective.
The Cushion must not overlap by more than 25mm (0.98") with the backrest cushion.
- 4.** Proper footrest and back support adjustment may enhance sitting comfort. Adjust the foot plates so the user's legs rest firmly but comfortably on the Cushion. Adjust back support to ensure the pelvis is posteriorly supported.

Maintenance & Cleaning

Monthly cleaning and regular maintenance will help extend the life of the Cushion. The expected lifetime of the Cushion is 5 years; however the Cushion needs to be checked regularly for performance.

Spex recommends using AHP (Accelerated Hydrogen Peroxide) disinfectant wipes. The disinfection product must be used as per the manufacturer instructions. Spex takes no responsibility for the effectiveness of the disinfecting process.

WARNING

- Replacing the cover after washing must be done correctly. Ensure the back of the cover matches up to the back of the foam base.
- If used in an institutional setting, write the resident's name with a permanent marker on the content label of the covers. This will help to ensure the return of the covers after washing.
- Use only Flex Covers on Flex Cushions. Changing the Cover, or using different materials, will alter the design and may cause harm or pressure/shear concerns to the user.

Foam

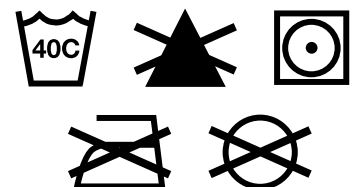
- Keep dry.
- Check the foam base regularly to ensure good foam consistency.
- If it accidentally becomes wet, dry thoroughly before replacing the covers.
- Ensure the all the Velcro strips on the cushion, wedges and pad are clean and not peeling away.
- Do not steam auto-clave.

Incontinence Cover

- Hand wash only.
- Do not use bleach or other strong cleaners.
- Do not tumble dry.
- Failure to use this cover may reduce the life of the cushion.

Outer Cover

- Remove the cover from the foam base and turn inside out.
- Machine wash in warm water (40° C / 104° F)
- Drip or tumble dry on low heat.
- Do not iron. Do not dry clean. Do not bleach.
- If chemical cleaners are used, covers must be rinsed thoroughly with water to remove all chemical residue and left to dry completely before reuse.
- Check the cover for tears and excessive wear and replace if ripped, torn or otherwise not fully functional.



If you have any additional questions regarding cleaning procedures, please contact your authorized Spex Seating dealer.

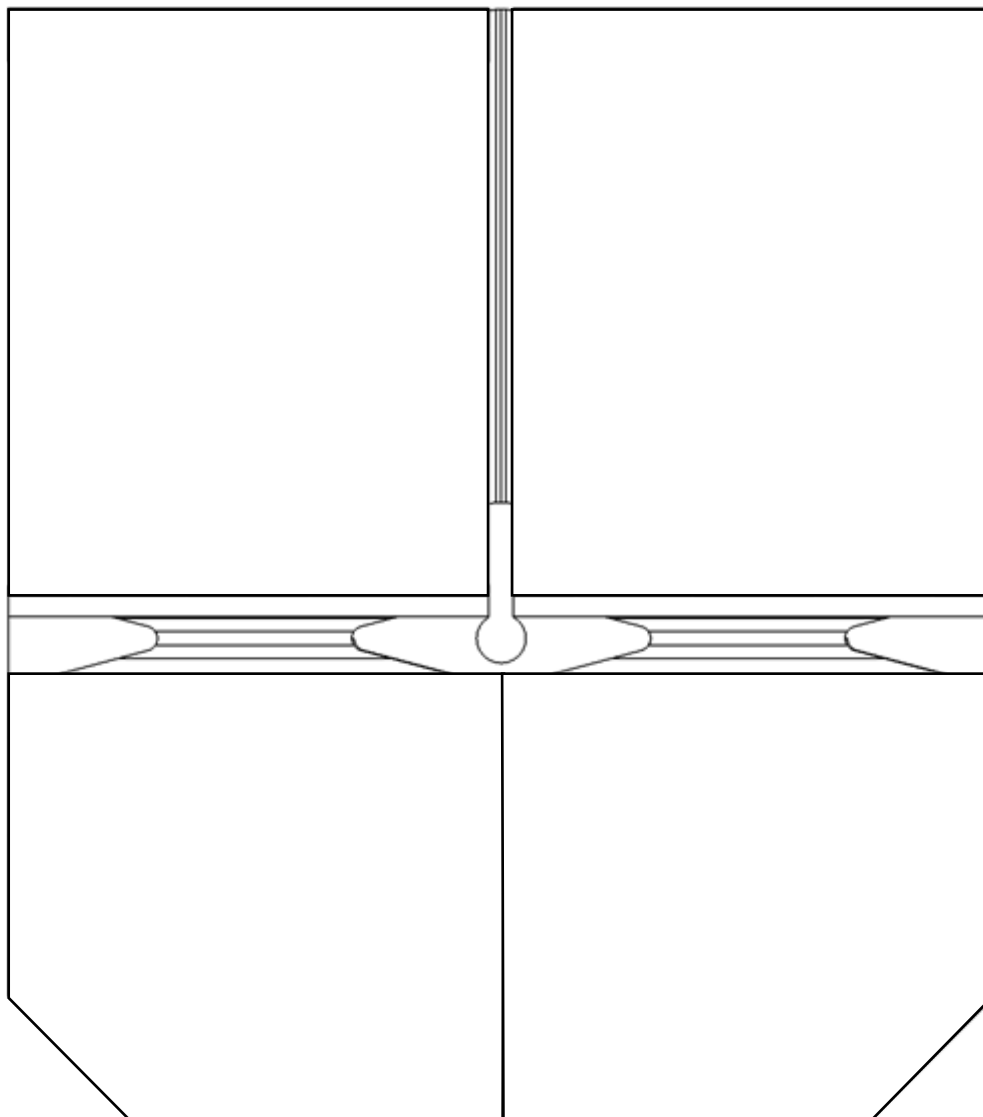
Cushion Strategic Base Chart

Once your Flex Cushion is set up in an optimal position, use the chart below to record the number of positioning pads and wedges in one of the 4 compartments. Mark unused/unavailable cells below with an 'X'.

Assessment Date	
Clinician Name	
Client Name	
Notes	

Front of Cushion - Underneath view

View of Cushion underneath



Bottom of Cushion - Underneath view

Transit Safety

The Spex Seating System has been successfully crash tested and complies with RESNA WC-4:2012, Section 20 (WC20). The Spex Seating System meets the requirements of ISO 16840-4:2009 and is suitable for use as a motor vehicle seat when used with an appropriate wheelchair base. Please follow all installation, use and maintenance instructions within this manual as well as the following transit instructions. If feasible, the wheelchair user should transfer to the vehicle seat and use the vehicle-installed occupant restraint systems.

Spex Seating System has been designed to accommodate the proper use of vehicle-anchored belt restraints. Spex achieved a rating of Excellent (16 out of 16), for ease of properly positioning a belt restraint, and the degree to which proper belt restraint can be achieved, based on the methods of Annex D. The following items of the Spex Seating System have been tested and are suitable for use in a motor vehicle:

- Full Height Back Support Models
- Seat Base
- Cushion Models
- Arm and Thigh Supports
- Trunk Lateral Supports
- Head Supports

Note: Back supports that are lower than the user's shoulder height are not certified and not recommended for transport in a vehicle. Eg. Vigour Lo and Vigour Mid back supports.

Assembly, Use, Maintenance & Limitations

- Adjustments to the set-up of the wheelchair must only be carried out by a qualified therapist, professional, or seating technician. Custom contoured/bespoke systems may require a qualified professional to configure and install the seating system.
- After carrying out any adjustments ensure all bolts, screws and nuts are securely fastened again to ensure safety when travelling in a vehicle.
- Ensure the top and bottom mounts of the backrest and the front and rear mounts of the seat pan are installed as far apart from each other as possible to give a stronger 4-point attachment to the wheelchair frame. Ensure the quick release latches are engaged.
- Do not use the Spex Seating System as a vehicle seat if seating components which have not been successfully crash tested are used anywhere on the seating system. Spex seating is designed and certified using only Spex components. Spex is not liable in the event where other manufactured seating systems are used in conjunction with Spex seating.
- At regular intervals check that all the fastenings on the Spex Seating System have not become loose during day to day use and re-tighten if necessary.
- Ensure the swing-away laterals are in their locked position before using the seat as a vehicle seat in a motor vehicle.

Transit Safety

Correct Positioning of Belt Restraints

When using the Spex Seating System as a vehicle seat, both a pelvic-belt restraint and shoulder-belt restraint must always be used. To correctly position the belt restraints on the wheelchair occupant, the following must be ensured:

- The pelvic-belt restraint should be worn low across the front of the pelvis near the junctions of the pelvis and thighs.
- The angle of the pelvic-belt restraint should be between 30° to 75° relative to the horizontal and, ideally, between 45° to 75° to the horizontal (as shown in Figure 2).
- The belt-restraint buckle of three-point belt restraints should be placed in contact with the occupant's body and away from wheelchair components.
- The junction of the shoulder-belt and pelvic-belt of three-point-belt restraints should be located near the hip opposite the shoulder over which the diagonal belt crosses and not near the midline of the occupant.
- Belt restraints should not be routed outside of the wheelchair wheels or over the wheelchair armrests, and should not be held away from the body by wheelchair components or parts.
- Upper torso belt restraints should fit directly over, and in contact with, the middle of the shoulder.
- Belt restraints should be adjusted to fit as snugly as possible, consistent with user comfort.
- Belt restraints should not be worn twisted in a manner that reduces the area of contact of the belt webbing with the occupant.



Figure 1

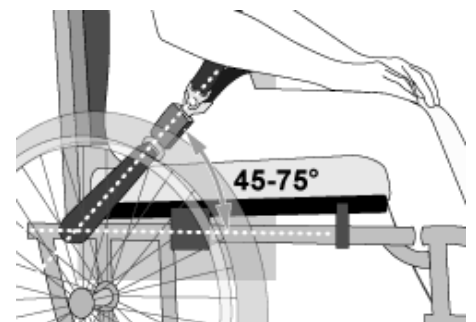


Figure 2



Figure 3a - Improper positioning of pelvic-belt restraints over wheelchair supports.

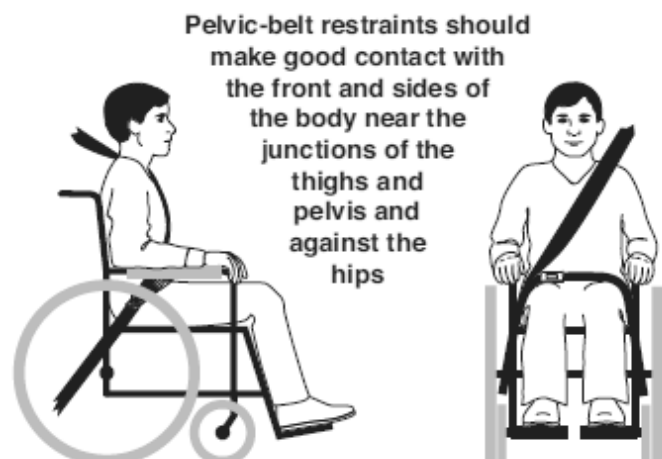


Figure 3b - Proper routing and positioning of belt restraints on the wheelchair occupant.

 **WARNING**

1. The distance between the top of the user's shoulder and the top of the back should not exceed 6.5" (16.5 cm).
2. The Spex Seating System must only be used with wheelchair bases that are tested as part of a wheelchair system that conforms to performance requirements of ISO 7176-19 and RESNA WC-4:2012, Section 19.
3. The Spex Seating System should only be used on wheelchair frames that provide four securement points and pelvic-belt anchor points that conform to the requirements of RESNA WC-4: 2012, Section 19.
4. The wheelchair must be labelled as appropriate for use as a seat in a motor vehicle, dynamically tested to the performance requirements of ISO 7176-19 and installed, used and maintained according to the manufacturer's instructions.
5. The Spex Seating System must only be used as indicated in this user manual.
6. Both pelvic and shoulder-belt restraints as a part of a complete Wheelchair Tie down and Occupant Restraint System (WTORS) which meets ISO 10542-1 shall be used to achieve effective occupant restraint and optimum protection in a vehicle impact; the belt restraints should be compatible with the specific wheelchair, and fitted to the user in accordance with WTORS manufacturer's instructions.
7. Back supports with adjustable recline angles should not be tilted back more than 30° beyond the vertical during travel in vehicles unless necessary for the medical and postural needs of the occupant.
8. If the back support must be adjusted to an angle that is greater than 30° beyond the vertical during travel, the upper shoulder-belt anchor point should be adjusted rearward to maintain belt

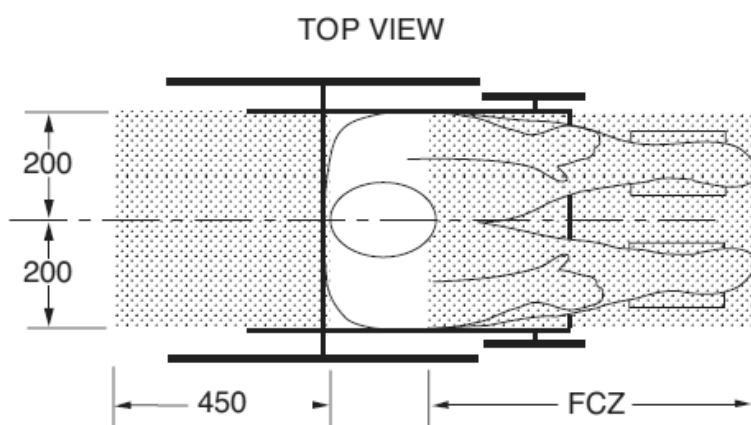
**WARNING**

8. cont... contact with the wheelchair occupant's shoulder and chest.
9. The Spex Seating System must only be used for forward-facing seating in motor vehicles.
10. In order to reduce the potential of injury to vehicle occupants, wheelchair-mounted rigid trays not specifically intended for use during travel in motor vehicles must be:
 - a. Removed and secured separately in the vehicle or
 - b. Secured to the wheelchair so they will not break free in a crash and
 - Be positioned with a gap of at least 3" (75 mm) between the back edge of the tray and the wheelchair occupant's abdomen and/or chest so as not to interfere with the proper belt-restraint use, and
 - Have energy absorbing padding placed between the back edge of the tray and the wheelchair occupant.
11. Alterations or substitutions must not be made to the seating system structure, parts or components, without first consulting Spex.
12. The use of a postural pelvic belt attached to the wheelchair base or seat frame is encouraged during travel, but these belts should be positioned so that they don't interfere with the proper positioning of crashworthy belt restraints, and they should not be relied on for occupant protection in crash situations unless the postural belt has been designed to comply with, and perform to the requirements of WC19.
13. Postural support devices that are not labelled as conforming to ISO 16840-4 may be used when in a vehicle, but should not be relied on for occupant restraint.

 **WARNING**

14. Both pelvic-belt and shoulder-belt restraints that comply with WC18 and/or WC19 should be used to limit occupant movement in a crash and reduce the likelihood of occupant ejection from the vehicle and/or injurious contact of the occupant with the vehicle interior.
15. Belt restraints should be positioned on the wheelchair occupant in accordance with WTORS manufacturer's instructions.
16. Backrest mounting hardware must be installed correctly. Refer to the appropriate section for correct backrest hardware mounting instructions.
17. If the wheelchair is being transported while occupied, the wheelchair must still be secured to the WTORS.
18. Children whose mass is less than 48.5 lbs. (22 kg) should be transferred from their seating system into appropriate child restraint systems intended for use in motor vehicles.
19. Sufficient forward and rearward clear space should be provided around the wheelchair occupant. Forward clear-space zone (FCZ) needs to be larger when a shoulder-belt restraint is not used.

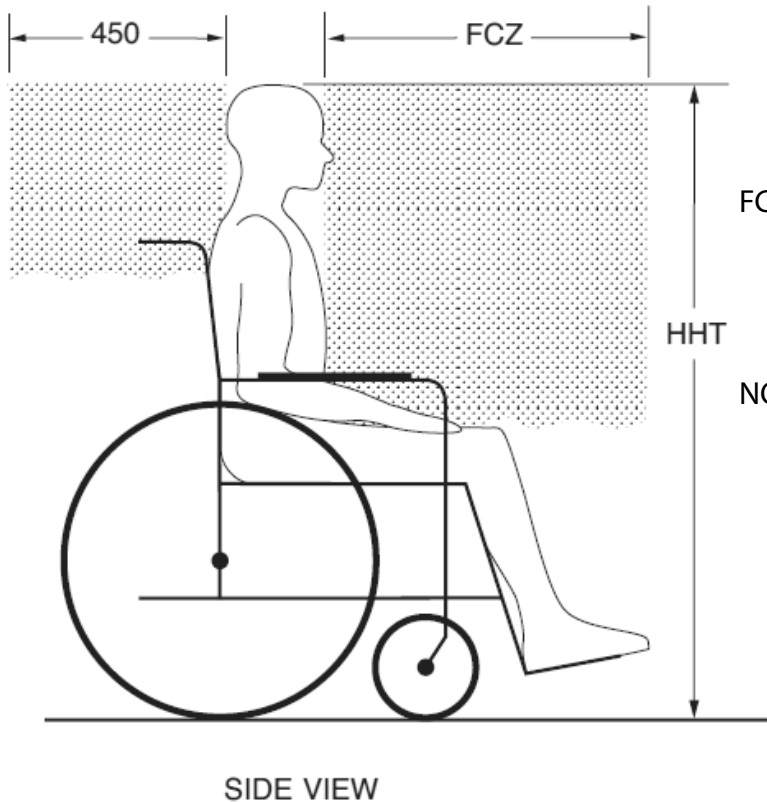
FAILURE TO HEED THESE WARNINGS COULD CAUSE SEVERE INJURY TO THE WHEELCHAIR USER OR OTHERS.



NOTES: The rear clear zone is measured from the rearmost point on an occupant's head. The front clear zone is measured from the frontmost point on an occupant's head.

Seated head height (HHT) ranges from about 47" (1200 mm) for a small adult female to about 61" (1550 mm) for a tall adult male.

 **WARNING**



FCZ = 25.5" (650 mm) with upper torso restraint
 = 37" (950 mm) with only pelvic restraint

NOTE: It is strongly recommended that both pelvic and upper torso belts be used.

Recommended forward and rearward clear zones for wheelchair seated occupants. (Note: the FCZ may not be achievable for wheelchair seated drivers).

Warranty

Each Flex Cushion is carefully inspected to provide peak performance and is guaranteed to be free from defects in materials and workmanship for a period of 24 months from the date of purchase, provided normal use. Should a defect in materials or workmanship occur within 24 months from the original date of purchase, Spex will, at its option, repair or replace it without charge. This warranty applies to the cushion components including the outer cover, incontinence cover, foam unit and strategic positioning base. This Warranty does not apply to the general wear and use, including punctures, tears or burns or customer abuse of any of the cushion components.

Claims and repairs should be processed through the nearest authorized Spex supplier. Except for express warranties made herein, all other warranties, including implied warranties of merchantability and warranties of fitness for a particular purpose are excluded. There are no warranties which extend beyond the description on the face hereof. Remedies for breach of express warranties herein are limited to repair or replacement of the goods. In no event shall damages for breach of any warranty include any consequential damages or exceed the cost of non-conforming goods sold.

The serial number of your Cushion can be located at the rear of the Cushion cover.

Table des matières:

Introduction	20
Utilisation prévue	21
Contre-indications	21
Consignes de sécurité	21
Capacités de poids	22
Environnement	22
Compatibilité	22
Avertissements	23
Contenu du coussin Flex	24
Adaptation pour un autre utilisateur	24
Élimination et recyclage	24
Ajustement du coussin Flex	25
Configuration du coussin Flex	27
Autres conseils de configuration	28
Mise en place du coussin	29
Entretien et nettoyage	29
Tableau de la base stratégique du coussin	31
Transport sécuritaire – Assemblage, utilisation, entretien et limites	32
Transport sécuritaire – Positionnement correct des ceintures de contrainte	33
Avertissements	34
Garantie	38

Introduction

Le coussin Flex est un coussin profilé/modulaire et réglable, servant aussi bien aux utilisateurs qui ont des limites de flexions et d'extensions de la hanche tant symétriques qu'asymétriques. Il a été conçu pour supporter correctement le bassin et les jambes pour les utilisateurs qui ont des problèmes d'obliquité du bassin, de rotation interne et externe, tout en offrant une protection de la peau. Le système de positionnement stratégique sous la cuisse utilisé permet un ajustement facile, sur-le-champ.

Note: Veuillez vous assurer qu'aucune pièce n'a pas été endommagée durant le transport. Communiquez avec Spex ou votre fournisseur si vous avez besoin de plus d'instructions. Au besoin, Spex recommande de consulter un clinicien, tel qu'un ergothérapeute ou un physiothérapeute expérimenté en assise et positionnement de patients dans un fauteuil roulant, afin de déterminer si le coussin Flex est approprié pour l'utilisateur.

Le coussin Flex est un excellent choix pour les personnes :

- Qui ont une flexion limitée de la hanche, symétrique ou asymétrique dont la rotation interne de la hanche présente des muscles ischiojambiers serrés d'un côté qui requièrent une répartition de la pression du bassin et de la hanche causée par leur posture assise asymétrique
- Dont les besoins posturaux changent avec le temps
- Qui nécessitent un haut degré de stabilité du bassin et un profil spécifique.

Utilisation prévue

Spex Seating est destiné aux utilisateurs (handicapés et/ou mal à l'aise) qui nécessitent un soutien postural et de positionnement spécifique pour offrir un confort de fonctionnement corporel en position assise sur des fauteuils roulants pour les activités quotidiennes et pour le transport dans des véhicules. Il est conçu avec des ajustements ergonomiques pour améliorer les conditions de posture corporelle et/ou pour aider à prévenir/réduire les problèmes physiques associés au travail ou aux activités sédentaires.

Contre-indications

1. L'utilisation de produits d'assise pour fauteuil roulant Spex peut affecter le centre de gravité et faire basculer le fauteuil roulant, ce qui peut causer des blessures. Jugez toujours de la nécessité d'ajouter des supports d'adaptation d'axe anti-bascule ou pour amputé au fauteuil roulant pour augmenter la stabilité.
2. Vérifiez régulièrement les rougeurs de la peau et l'absence de points de pression. Si votre peau développe des rougeurs, arrêtez d'utiliser le produit et consultez votre médecin ou votre thérapeute.

Consignes de sécurité

Pour éviter toute blessure, veuillez lire, comprendre et suivre toutes les instructions et les avertissements du présent manuel avant d'installer et d'utiliser le coussin Flex. L'utilisation de fauteuils roulants et d'équipement adapté peut présenter certains risques. Une mauvaise utilisation de votre fauteuil roulant ou de votre coussin pourrait vous causer des blessures graves. Si votre coussin cesse de vous donner le rendement prévu, veuillez consulter immédiatement votre fournisseur autorisé de coussins Spex avant de continuer à l'utiliser. Tout incident grave survenu en relation avec ce produit doit être signalé à Spex Ltd.

Le coussin Flex satisfait aux exigences de la norme ISO 7176-16 Fauteuils roulants – résistance à l'inflammation des dispositifs de soutien de la posture. La housse et la mousse satisfont aux exigences d'inflammabilité du Bulletin technique 117 de la Californie. Dans de rares cas, les tissus utilisés dans ce produit peuvent provoquer une irritation cutanée pour les personnes à peau sensible. Si vous observez des rougeurs ou du prurit de la peau, consultez votre professionnel des soins de santé.

Dénégation de responsabilité: Spex n'assume aucune responsabilité quant à l'efficacité thérapeutique de ses produits. Nous prétendons seulement que nos produits peuvent procurer un positionnement et une assise sûrs et fiables sur l'équipement sur lequel ils sont installés.

Capacités de poids

- **Coussin de 25,4 à 38 cm (10 à 15 po): 90 kg (200 lb)**
- **Coussin de 41 à 51 cm (16 à 20 po): 160 kg (350 lb)**



AVERTISSEMENT

Ne jamais dépasser la capacité de votre coussin ou du fauteuil roulant telle que spécifiée par le fabricant de fauteuils roulants. Ne jamais s'entraîner à l'aide de poids d'exercice qui pourraient causer un dépassement de la capacité pondérale du fauteuil roulant. Vous assurer que le coussin est parfaitement installé avant d'effectuer des transferts. N'utilisez que les coins de mousse, les inserts et les housses fournis par Spex.

Environnement

Humidité: Gardez votre coussin sec en tout temps étant donné que le contact avec l'eau ou une humidité excessive peut altérer la fonctionnalité de votre coussin et même causer une détérioration de celui-ci. Si votre coussin devient humide ou mouillé, essuyez-le à fond dès que possible à l'aide d'un chiffon sec. N'utilisez pas votre coussin sous la douche ou à la piscine.

Température: Votre coussin peut ne pas se comporter comme prévu s'il est utilisé à des températures extrêmes. Gardez le coussin à l'écart des sources de chaleur ou de froid extrême afin d'éviter d'altérer la fonctionnalité de la mousse.

Saletés: De petites particules comme la poussière, la saleté et le sable peuvent réduire la fonctionnalité optimale. Lavez régulièrement la housse de votre coussin afin de prévenir toute accumulation de particules.

Compatibilité

- Le coussin Flex a été conçu pour être compatible avec la plupart des fauteuils roulants.
- Le coussin Flex doit être installé sur une base solide, comme un plateau d'assise rigide ou un raidisseur de coussin, de manière à assurer plus de stabilité à l'utilisateur. Le plateau d'assise rigide doit être muni de sangles velcro pour assurer que le coussin soit maintenu en place durant l'utilisation.



AVERTISSEMENT

IL Y A RISQUE D'ACCIDENT, DE BLESSURE, DE DOULEUR OU DE MORT SI L'ON NE TIENT PAS COMPTE DE CES AVERTISSEMENTS.

Demandez de l'aide si vous n'êtes pas certain de l'un des points suivants:

1. L'installation d'un coussin sur un fauteuil roulant peut déplacer le centre de gravité de celui-ci et le faire basculer vers l'arrière, au risque de causer des blessures ou la mort. Vérifiez si des roulettes anti-bascule ou autres dispositifs doivent être ajoutés à votre fauteuil roulant pour en augmenter la stabilité.
2. L'installation et le réglage de votre coussin Flex ne peuvent être effectués que par
 - a) un distributeur autorisé Spex ou un technicien
 - b) un professionnel de soins de santé qualifié qui a suivi une formation appropriée en biomécanique.
3. Le coussin Flex doit être installé sur une base solide. Un plateau de siège rigide assurera plus de stabilité à l'utilisateur (le coussin ne se déformera pas).
4. On doit essayer au préalable le coussin afin de déterminer si son efficacité répond aux besoins de l'utilisateur. Le clinicien doit examiner la peau de l'utilisateur afin de s'assurer qu'il n'apparaît pas de points de pression rouges.
5. L'utilisateur et/ou les dispensateurs de soins devraient vérifier régulièrement s'il n'y a pas de rougeurs de la peau ou de dégradation des tissus. Si des rougeurs apparaissent, cessez immédiatement d'utiliser le coussin et consultez votre médecin ou thérapeute. Le coussin pourra être reconfiguré pour un meilleur positionnement.
6. Avec une installation appropriée et un entretien continu, le coussin Flex convient parfaitement aux personnes susceptibles de contracter des ulcères de la peau, bien qu'aucun coussin ne puisse éliminer complètement la pression en position assise ou prévenir les ulcères de pression.
7. Gardez le coussin au sec. L'humidité est un des facteurs qui peuvent provoquer des ulcères de pression.
8. Nous recommandons à l'utilisateur d'avoir un bon régime alimentaire et de faire régulièrement des exercices de soulagement ou de suivre une thérapie afin de prévenir les ulcères de pression.
9. Ne laissez pas le coussin Flex dehors toute la nuit ou à une température inférieure à 5 °C/41°F. Le coussin Flex devrait être à la température ambiante avant de s'y asseoir.
10. Évitez les objets pointus de même que l'exposition à une chaleur excessive ou une flamme nue.
11. Le coussin Flex a été conçu spécifiquement à l'intention des utilisateurs en fauteuil roulant de mobilité. N'utilisez aucunement le coussin d'une autre manière que celle décrite ici, et ne le modifiez jamais.
12. N'utilisez jamais le coussin sans sa housse. Soyez prudent près d'une flamme nue ou d'une cigarette allumée. L'utilisation du coussin sans sa housse augmente le risque d'inflammation et de dommage à la peau.
13. N'utilisez jamais le coussin sans la housse d'incontinence, à défaut de quoi la durée de vie du coussin en serait réduite.

Contenu du coussin

Votre coussin contient les pièces suivantes:

	Description	Quantité
A	Housse extérieure	1
B	Housse d'incontinence	1
C	Élément de mousse	1
D	Coins orientés vers l'avant	1L & 1R
E	Coussinets d'obliquité pelvienne	
	Profondeur de coussin jusqu'à 15 po	5L & 5R
	Profondeur et largeur de coussin de 16 po	6L & 6R
F	Coins de hanche	3L & 3R
G	Coins d'abduction	2
H	Housse de coins d'abduction	1



Adaptation pour un autre utilisateur

Une fois que le premier utilisateur a fini d'utiliser le coussin Flex, celui-ci doit être remis à neuf et nettoyé à fond s'il est destiné à un autre utilisateur. On trouvera ci-dessous les lignes directrices de base pour la remise à neuf du coussin Flex. Spex n'assume aucune responsabilité quant à la contamination, l'infection croisée ou les dommages au coussin. Spex recommande d'utiliser des serviettes désinfectantes au PHA (peroxyde d'hydrogène activé). Le produit désinfectant doit être utilisé selon les instructions du fabricant. Spex décline toute responsabilité quant à l'efficacité du processus de désinfection.

Pièce	Procédure
Vérification de sécurité	Vérifiez si tous les composants sont exempts de signes de tension ou de fissure.
Housses de garniture	La housse d'incontinence et la housse extérieure doivent être remplacées, quel que soit leur état.
Coins et coussinets de positionnement stratégique	S'assurer d'avoir le nombre approprié de coins, et que tous les velcros sont en bon état
Mousse	Vérifiez si la mousse n'est pas dégradée et est très propre.

Élimination et recyclage

Votre ensemble de siège Spex a été fabriqué à partir d'une variété de matériaux, dont la plupart peuvent être recyclés. Une fois que votre coussin a atteint la fin de sa durée de vie, si vous êtes le propriétaire légal, ne le jetez pas avec les ordures ménagères ordinaires, mais apportez-le à un site de recyclage ou un point de collecte approuvé, afin qu'il soit éliminé en conformité avec les lois et règlements locaux.

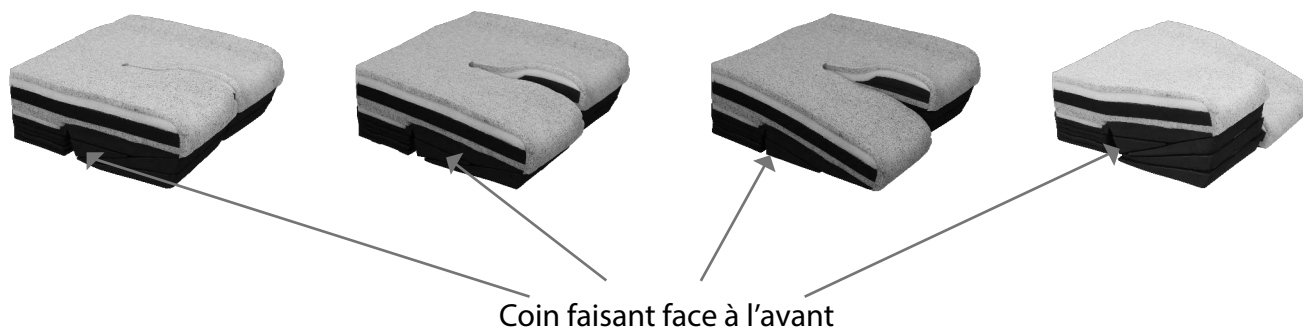
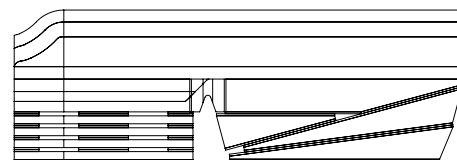
Une cueillette et un recyclage séparés de l'ensemble Spex en vue de l'élimination assureront la protection de l'environnement et favoriseront la conservation des ressources naturelles.

Mise en place du coussin Flex

Le coussin Flex peut être configuré pour convenir à de nombreuses et différentes postures pour des personnes ayant des problèmes, handicaps ou qui ont de la difficulté à s'asseoir. En ajustant la base de positionnement stratégique avec des coussinets et des coins, la surface du coussin peut être profilée afin d'améliorer la posture globale, l'alignement du bassin, la capacité d'assise, le confort et la réduction de la pression. Compte tenu de la nature réglable du coussin Flex, nous recommandons que l'évaluation initiale/configuration du coussin soit exécutée sans les housses. En ayant une vue et un accès précis sur la base de positionnement, les coins et coussinets vous aideront à obtenir une mise en place optimale du coussin. Lorsque la configuration optimale est atteinte, les housses extérieure et intérieure DOIVENT être remises sur le coussin. Le coussin Flex ne doit pas être utilisé sans les housses.

Coin de cuisse:

On peut changer l'angle de la section cuisse en ajoutant ou en supprimant les coins sous chaque cuisse. Chaque coin représente un ajustement d'environ 70. Assurez-vous que le velcro sur les coins adhère parfaitement avant d'utiliser le coussin.



Il est impératif que le coin faisant face à l'avant illustré ci-dessus ne soit jamais enlevé du coussin.



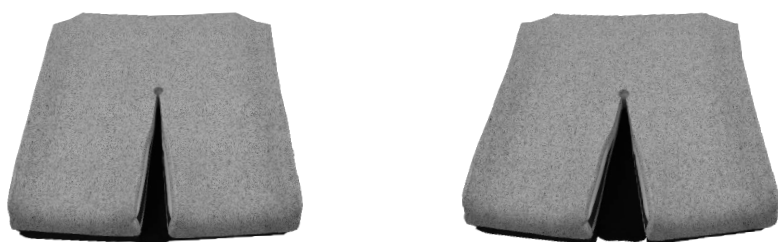
AVERTISSEMENT

- Les ajustements doivent être effectués par un clinicien expérimenté et certifié, tel qu'un médecin, un thérapeute ou un spécialiste en réadaptation. Les ajustements doivent être faits après une bonne évaluation des besoins de l'utilisateur.
- Les coussins Flex ne doivent pas être utilisés sans les housses.

Mise en place du coussin Flex - suite

Coin d'abduction:

Les coins d'abduction peuvent servir à améliorer l'abduction du coussin Flex. Les coins ont 10°, mais on peut modifier l'angle d'abduction de la cuisse en ajoutant ou en supprimant des coins d'abduction ou en taillant les coins d'abduction à l'angle requis. Une fois que l'angle requis est atteint, assurez-vous que la housse d'abduction est placée sur les coins et que le coin d'abduction est bien fixé aux housses du coussin.



Déformation en coup de vent et abduction asymétrique/rotations interne et externe:

La rotation pelvienne ou l'abduction, les rotation interne et externe d'une jambe peuvent aussi être utilisées pour régler la position d'une seule jambe, à l'aide du velcro sous la cuisse, puis en insérant les coins d'abduction requis.



Ajustement de l'obliquité pelvienne:

On peut configurer la section arrière du coussin Flex en ajoutant ou en supprimant des coussinets avec velcro ou les coins latéraux pour s'adapter à l'obliquité.



Configuration du coussin Flex

<p>Les photos ne servent qu'à des fins d'illustration.</p>	<p>Dénégation de responsabilité : l'énoncé de l'évaluation clinique déterminera les options de coussin à choisir pour répondre aux besoins de chaque client.</p>
	<p>Positionnement et contrôle de la cuisse.</p> <p>La section de la cuisse peut être configurée sur les deux côtés ou sur un seul côté indépendamment pour la flexion ou l'extension, ou peut demeurer à plat, si requis.</p>
	<p>Muscle ischiojambier serré/flexion limitée de la hanche/ inclinaison du bassin vers l'arrière.</p> <p>Des coins avant peuvent être ajoutés ou supprimés pour s'ajuster à la flexion ou à l'extension.</p>
	<p>Abduction</p> <p>Ajoutez, supprimez ou taillez les coins d'abduction pour convenir à la flexion ou à l'extension.</p>
	<p>Déformation en coup de vent et abduction asymétrique/ rotations interne et externe:</p> <p>Fixez la section arrière avec la section velcro et fléchissez latéralement les sections avant pour convenir aux rotations.</p> <p>Pour s'ajuster à l'abduction asymétrique, réglez une jambe (à l'aide du velcro), puis ajoutez ou supprimez des coins d'abduction.</p>
	<p>Obliquité du bassin</p> <p>Ajoutez ou enlevez les coussinets arrière pour configurer la section arrière du coussin Flex.</p>

Autres conseils pour la configuration

Les configurations doivent être fondées sur un diagnostic et une évaluation biomécanique de l'utilisateur.

- 1.** Inclinaison du bassin vers l'avant : Laissez le coussin à plat ou soulevez-le légèrement à l'avant pour un alignement neutre du bassin, et/ou pour répartir le poids sur les tubérosités ischiatiques.
- 2.** Réflexe des allongeurs : Augmentez la flexion de la hanche et du genou en ajoutant du support sous l'avant des cuisses.
- 3.** Obliquité du bassin : Augmentez l'épaisseur sous le côté plus bas pour corriger, sous le côté plus haut pour l'ajuster.

NOTE: Dans toutes les situations décrites ci-dessus, ajustez le support arrière et les repose-pieds en conséquence.

Recouvrir Le Coussin

Le coussin Flex est fourni avec deux housses qui doivent être toutes les deux utilisées : la housse d'incontinence et la housse extérieure. Les coins d'abduction sont également fournis avec une housse qui doit être utilisée si le coussin a besoin d'abduction.

Une fois que les ajustements sont effectués sur les coins de coussin, après l'évaluation de l'utilisateur, la housse d'incontinence doit être installée (vous assurer que le côté velcro est en bas). Insérez chaque rabat de coussin et remontez la fermeture éclair de la housse. Les housses sont munies de deux rabats à l'avant du coussin, qui doivent être serrés. Si des coins ont été enlevés, vous devrez peut-être replier une partie de la housse sous le coussin.

AVERTISSEMENT

Vous assurer que le dessus ou l'avant du coussin ne soit ni froissé, ni plié, ni plissé.



Répéter ces étapes pour la housse extérieure.



Mise en place du coussin

- 1.** Positionnez le coussin à environ 12 mm (0,5 po) devant le bord avant du plateau de la base du siège de façon à protéger les jambes de l'utilisateur.
- 2.** Les étiquettes sur le coussin et les housses indiquent l'ARRIÈRE. L'étiquette ARRIÈRE sur le coussin doit être orientée vers l'arrière en tout temps.
- 3.** Vérifiez les dimensions du coussin. Le coussin doit soutenir pleinement la base de l'utilisateur. Un coussin trop long, par exemple, forcerait l'utilisateur à s'asseoir avec le bassin incliné vers l'arrière. Si la flexion ou l'extension de la hanche est requise, un coussin long forcerait le client à s'asseoir sur le bord où est situé le point de pivotement, ce qui n'est pas idéal d'un point de vue de la gestion de la pression et du confort.

Le coussin ne doit pas chevaucher plus de 25 mm (1 po) le coussin du dossier.
- 4.** Un ajustement approprié du repose-pied et du dossier peut améliorer le confort de la position assise. Ajustez les repose-pieds de façon à ce que les jambes de l'utilisateur reposent fermement, mais confortablement sur le coussin. Ajustez le dossier afin d'assurer un bon soutien du bassin à l'arrière.

Entretien et nettoyage

Un nettoyage mensuel et un entretien régulier aideront à prolonger la durée de vie du coussin. La durée de vie prévue du coussin est de 5 ans s'il est vérifié régulièrement du point de vue du rendement.

Spex recommande d'utiliser des serviettes désinfectantes au PHA (peroxyde d'hydrogène activé). Le produit désinfectant doit être utilisé selon les instructions du fabricant. Spex n'assume aucune responsabilité quant à l'efficacité du procédé de désinfection.



AVERTISSEMENT

- Après le lavage, la housse doit être remise en place correctement. Assurez-vous que l'arrière de la housse correspond à l'arrière de la base de mousse.
- Si les housses sont utilisées dans une institution, écrivez le nom du résident à l'aide d'un marqueur permanent sur l'étiquette de contenu des housses, afin d'assurer le retour des housses au bon destinataire après le lavage.
- N'utilisez que des housses Flex sur des coussins Flex. Un changement de housse ou l'utilisation de matériaux différents pourraient modifier le concept et causer une douleur ou des problèmes de pression à l'utilisateur.

Mousse

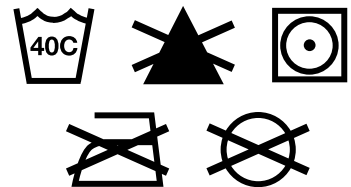
- Gardez la mousse au sec.
- Vérifiez la base de mousse régulièrement pour s'assurer de sa consistance.
- Si la mousse est mouillée accidentellement, asséchez-la complètement avant de remettre les housses.
- Assurez-vous que toutes les bandes velcro sur le coussin, les coins et les coussinets sont propres et ne s'effilochent pas.
- Ne lavez pas la mousse à l'autoclave.

Housse d'incontinence

- Lavez-la à la main seulement.
- N'utilisez pas d'eau de javel ni d'autres produits de nettoyage puissants.
- N'asséchez pas la housse par culbutage.
- L'omission d'utiliser cette housse peut réduire la durée de vie du coussin.

Housse extérieure

- Enlevez la housse de la base de mousse et retournez-la complètement.
- Lavez la housse à la machine à l'eau tiède (40 °C/104 °F).
- Lavez la housse à la machine à l'eau tiède (40 °C/104 °F).
- Laissez égoutter ou séchez par culbutage à basse température
- Pas de repassage, pas de nettoyage à sec ni de javellisant.
- Si des produits de nettoyage chimiques sont utilisés, rincez les housses à fond à l'eau pour enlever tous les résidus chimiques et laissez-les sécher complètement avant de les réutiliser.
- Vérifiez si les housses ne sont pas déchirées ou présentent une usure excessive, et remplacez-les si elles sont effilochées, déchirées ou ne sont pas pleinement fonctionnelles pour quelque raison que ce soit.



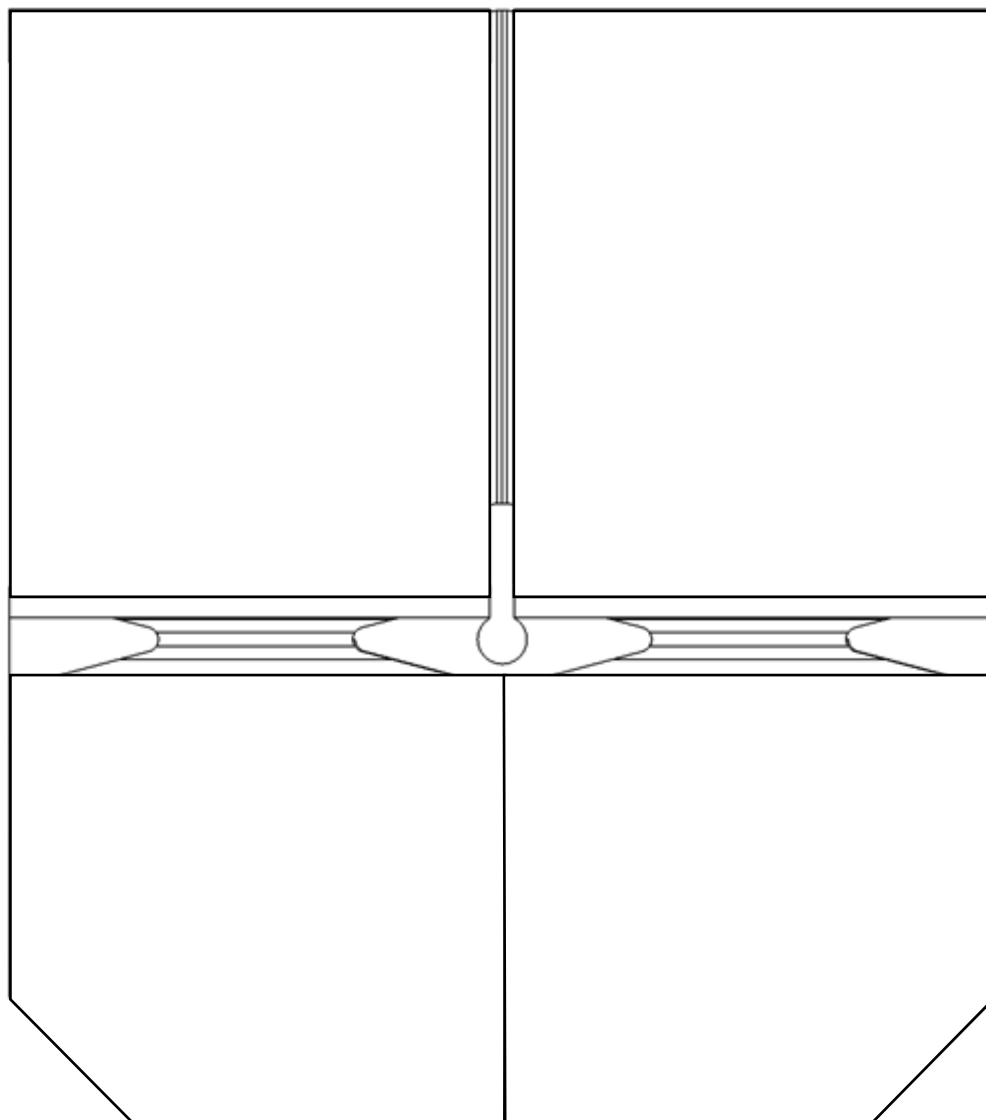
Si vous avez des questions supplémentaires au sujet des méthodes de nettoyage, veuillez communiquer avec votre détaillant de sièges autorisé Spex.

Tableau de base stratégique du coussin

Une fois que votre coussin Flex est installé dans une position optimale, utilisez le tableau ci-dessous pour enregistrer le nombre de coussinets de positionnement dans chacun des 4 compartiments. Marquez d'un X les cellules non utilisées ou non disponibles.

Date de l'évaluation	
Nom du clinicien	
Nom du client	
Notes	

Avant du coussin – Vue de dessous



Arrière du coussin – Vue de dessous

Transport sécuritaire

Le système de siège Spex a subi avec succès un essai de collision et est conforme à la norme RESNA WC-4:2012, section 20 (WC20). Le système de siège Spex satisfait aux exigences de la norme ISO 16840-4:2009 et convient comme siège d'un véhicule moteur lorsqu'il est utilisé avec une base de fauteuil roulant appropriée. Veuillez suivre toutes les instructions d'installation, d'utilisation et d'entretien contenues dans le présent manuel, ainsi que les instructions suivantes pour le transport. Quand c'est possible, l'utilisateur du fauteuil roulant devrait passer au siège du véhicule et utiliser les systèmes de contrainte de l'occupant installés dans le véhicule.

Le système de siège Spex a été conçu pour permettre l'usage approprié des ceintures de contrainte ancrées au véhicule. Spex a obtenu la cote Excellent (soit 16 sur 16) pour la facilité de positionner correctement une ceinture de contrainte, ainsi que le degré auquel la contrainte appropriée de la ceinture peut être obtenue, selon les méthodes de l'annexe D. Les composantes suivantes du système de siège Spex ont été testées et conviennent pour un usage approprié dans un véhicule moteur :

- Modèles d'appui-dos pleine hauteur
- Base de siège
- Modèles de coussins
- Soutiens des bras et des cuisses
- Supports latéraux du tronc
- Têtières

Note : Les appui-dos qui sont plus bas que la hauteur de l'épaule de l'utilisateur ne sont pas certifiés et ne sont pas recommandés pour le transport dans un véhicule. Exemples : appui-dos Vigour Lo et Vigour mid.

Assemblage, utilisation, entretien et limites

- Les réglages de l'installation d'un fauteuil roulant ne peuvent être effectués que par un thérapeute professionnel ou un technicien en positionnement assis qualifié. Les systèmes profilés sur demande ou sur mesure peuvent nécessiter une configuration et une installation par un professionnel qualifié.
- Après avoir effectué certains réglages, assurez-vous de nouveau que tous les boulons, vis et écrous soient bien serrés afin de fournir un transport sécuritaire dans un véhicule.
- Assurez-vous que les supports du dessus et du fond de l'appui-dos et que les supports avant et arrière du contenant du siège sont aussi éloignés que possible l'un de l'autre afin de fournir une fixation à 4 points plus solide au cadre du fauteuil roulant. Assurez-vous que les systèmes de verrouillage rapide sont engagés.
- N'utilisez pas le système de siège Spex comme siège de véhicule si les composants du siège qui n'ont pas subi avec succès l'essai de collision sont utilisés quelque part sur le système de siège. Le système de siège Spex a été conçu et certifié seulement à l'aide de composants Spex. Spex n'assume aucune responsabilité dans les cas où d'autres systèmes de siège fabriqués seraient utilisés conjointement avec le système de siège Spex.
- À intervalles réguliers, vérifiez si toutes les attaches du système de siège Spex ne se sont pas desserrées durant l'utilisation quotidienne et resserrez-les si nécessaire.
- Assurez-vous que les côtés rabattables sont dans leur position verrouillée avant d'utiliser le siège comme siège de véhicule dans un véhicule moteur.

Transport sécuritaire

Positionnement correct des ceintures de contrainte

- Lorsqu'on utilise le système de siège Spex comme siège d'un véhicule, la ceinture de contrainte pelvienne et la ceinture de contrainte d'épaule doivent toujours être utilisées. Pour positionner correctement les ceintures de contrainte sur le fauteuil roulant de l'occupant, il faut vérifier les points suivants :
- La ceinture de contrainte pelvienne devrait être portée au bas à l'avant du bassin, près des jonctions du bassin et des cuisses.
- L'angle de la ceinture de contrainte devrait être compris entre 30° et 75° par rapport à l'horizontale et, idéalement, entre 45° et 75° par rapport à l'horizontale (comme le montre la Figure 2).
- La boucle de la ceinture de contrainte des ceintures de contrainte à trois points devrait être située en contact avec le corps de l'occupant et à l'écart des composants du fauteuil roulant.
- La jonction de la ceinture de contrainte diagonale et des ceintures de contrainte pelviennes à trois points devrait être située près de la hanche opposée à l'épaule sur laquelle la ceinture diagonale traverse et non pas près de la ligne médiane de l'occupant.
- Les ceintures de contrainte ne devraient pas être acheminées à l'extérieur des roues du fauteuil roulant ni par-dessus les appui-bras du fauteuil roulant, et ne devraient pas être tenues à l'écart du corps par des composants ou pièces du fauteuil roulant.
- Les ceintures de contrainte supérieures du torse devraient être placées directement au-dessus du milieu de l'épaule et en contact avec celle-ci.
- Les ceintures de contrainte devraient être ajustées aussi serrées que possible, tout en tenant compte du confort de l'utilisateur.
- Les ceintures de contrainte ne devraient pas être portées tordues d'une manière qui réduit la surface de contact du tissu de la ceinture avec l'occupant.

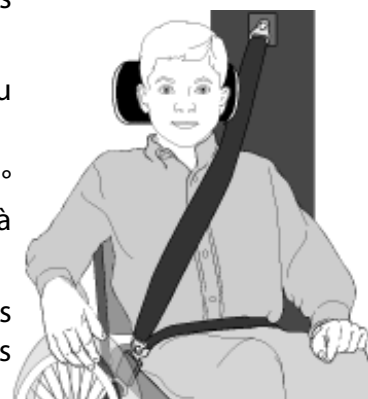


Figure 1

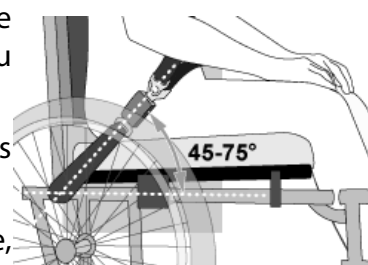


Figure 2



Figure 3a – Positionnement incorrect des ceintures de contrainte pelviennes sur les supports du fauteuil roulant.

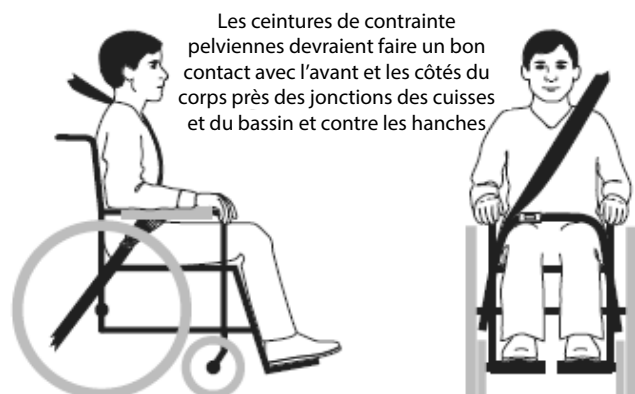


Figure 3b – Acheminement et positionnement corrects des ceintures de contrainte sur l'occupant du fauteuil roulant.

**AVERTISSEMENT**

- 1. La distance entre le dessus de l'épaule de l'utilisateur et le haut du dos ne devrait pas dépasser 16,5 cm (6,5 po).**
- 2. Le système de siège Spex doit être utilisé seulement avec des bases de fauteuil roulant qui ont été testées comme partie d'un système de fauteuil roulant qui est conforme au rendement exigé par les normes ISO 7176-19 et RESNA WC-4 :2012, section 19.**
- 3. Le système de siège Spex devrait être utilisé seulement sur des cadres de fauteuil roulant qui fournissent quatre points de fixation et points d'ancrage de la ceinture pelvienne, conformément aux exigences de la section 19 de la norme RESNA WC-4 :2012.**
- 4. Le fauteuil roulant doit être homologué comme étant approprié pour utilisation comme siège dans un véhicule moteur, testé dynamiquement selon le rendement exigé par la norme ISO 7176-19, et installé, utilisé et entretenu selon les instructions du fabricant.**
- 5. Le système de siège Spex doit être utilisé seulement comme c'est indiqué dans le présent manuel de l'utilisateur.**
- 6. Des ceintures de contrainte pelvienne et diagonale – faisant partie d'un Système complet d'Attache du Fauteuil Roulant et de Retenue de l'Occupant (SAFRRO) satisfaisant à la norme ISO 10542-1 – doivent être utilisées toutes deux pour réaliser une contrainte efficace de l'occupant et une protection optimale en cas de choc de véhicules; les ceintures de contrainte devraient être compatibles avec le fauteuil roulant particulier et installées sur l'utilisateur selon les instructions du fabricant du SAFRRO.**
- 7. Les appui-dos ayant des angles d'inclinaison réglables ne devraient pas être inclinés vers l'arrière de plus de 30° par rapport à la verticale durant un déplacement dans un véhicule, sauf si c'est nécessaire pour des besoins médicaux et posturaux de l'occupant.**

**AVERTISSEMENT**

8. Si l'appui-dos doit être réglé à un angle supérieur à 30° par rapport la verticale durant un déplacement, le point d'ancrage supérieur de la ceinture diagonale devrait être ajusté vers l'arrière de façon à maintenir la ceinture en contact avec l'épaule et la poitrine de l'occupant.
9. Le système de siège Spex doit être utilisé seulement pour un passager assis tourné vers l'avant dans un véhicule moteur.
10. Afin de réduire les risques de blessures aux occupants d'un véhicule, les plateaux rigides montés sur le fauteuil roulant, qui ne sont pas conçus spécifiquement pour être utilisés pendant un déplacement dans un véhicule moteur, doivent être :
 - a. enlevés et fixés séparément dans le véhicule ou
 - b. fixés au fauteuil roulant de façon à ce qu'ils ne se brisent pas en pièces en cas de collision et
 - positionnés avec un écart d'au moins 75 mm entre le bord arrière du plateau et l'abdomen ou la poitrine de l'occupant du fauteuil roulant, de façon à ne pas interférer avec l'usage de la ceinture de contrainte appropriée, et
 - munis d'un coussin à absorption d'énergie placé entre le bord arrière du plateau et l'occupant du fauteuil roulant.
11. Aucune altération ou substitution de la structure du système de siège ne peut être faite sans une consultation préalable avec Spex.
12. L'utilisation durant un déplacement d'une ceinture pelvienne posturale fixée à la base du fauteuil roulant ou au cadre du siège est souhaitable, à la condition que de telles ceintures soient positionnées de façon à ne pas nuire au positionnement approprié des ceintures de contrainte anti-crash, et qu'on ne s'y fie pas comme protection de l'occupant en cas de collision, à moins que la ceinture posturale n'ait été conçue pour être tout à fait conforme aux exigences de WC19.

**AVERTISSEMENT**

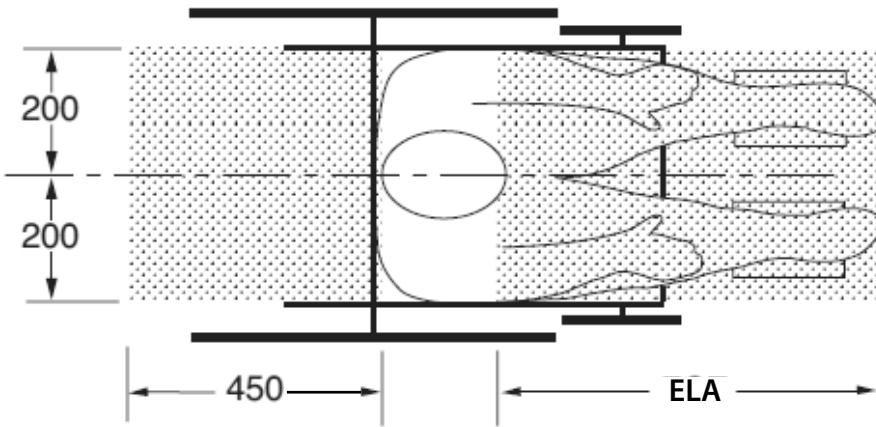
13. Les dispositifs de soutien posturaux qui ne sont pas homologués comme étant conformes à la norme ISO 16840-4 peuvent être utilisés pour un déplacement en véhicule, mais on ne doit pas s'y fier pour la retenue de l'occupant.
14. Les ceintures de contrainte pelvienne et diagonale qui sont conformes à WC18 et/ou WC19 devraient être utilisées pour limiter le mouvement de l'occupant au cours d'une collision et réduire la possibilité d'éjection de l'occupant hors du véhicule et/ou de contact préjudiciable de l'occupant avec l'intérieur du véhicule.
15. Les ceintures de contrainte devraient être positionnées sur l'occupant du fauteuil roulant en conformité avec les instructions du fabricant du SAFRRO (Système d'Attache du Fauteuil Roulant et de Retenue de l'Occupant).
16. Les ferrures de montage de l'appui-dos doivent être installés correctement. Reportez-vous à la section appropriée pour voir les instructions de montage correctes des ferrures du dossier.
17. Lorsque le fauteuil roulant est occupé pendant qu'il est transporté, il doit toujours être fixé au SAFRRO.
18. Les enfants dont le poids est inférieur à 22 kg (48,5 lb) devraient être transférés de leur système de siège à un système de retenue d'enfant approprié conçu pour utilisation dans les véhicules moteur.
19. Un espace libre suffisant à l'avant et à l'arrière doit être prévu autour de l'occupant du fauteuil roulant. L'espace libre avant (ELA) doit être plus grand lorsqu'une ceinture de contrainte diagonale n'est pas utilisée.

L'OMISSION DE TENIR COMPTE DE CES AVERTISSEMENTS POURRAIT ENTRAÎNER DES BLESSURES GRAVES À L'UTILISATEUR DU FAUTEUIL ROULANT OU À D'AUTRES.



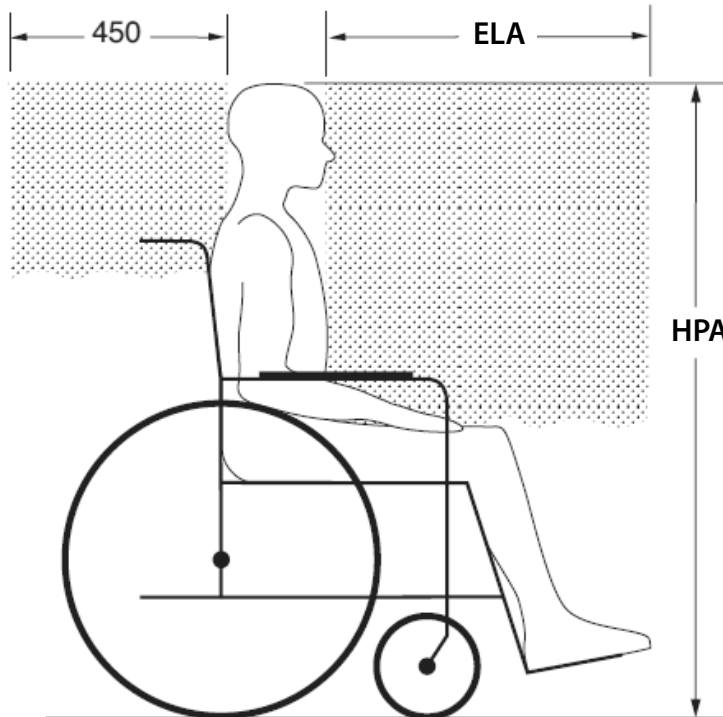
AVERTISSEMENT

VUE DE DESSUS



NOTES : L'espace libre arrière se mesure à partir du point le plus arrière de la tête de l'occupant. L'espace libre avant (ELA) se mesure à partir du point le plus avant de la tête de l'occupant.

La hauteur en position assise (HPA) va d'environ 120 cm (47 po) pour une femme adulte de petite taille à environ 155 cm (61 po) pour un homme adulte de grande taille



VUE DE CÔTÉ

ELA = 65 cm (25,5 po) avec ceinture de torse supérieure
 = 95 cm (37 po) avec ceinture pelvienne seulement

NOTE: Il est fortement recommandé que les ceinture pelvienne et de torse soient utilisées ensemble.

Espaces libres avant et arrière recommandés pour un occupant assis dans un fauteuil roulant. (Note : L'espace libre avant (ELA) ne peut pas être possible pour un conducteur assis dans le fauteuil roulant).

Garantie

Chaque coussin Flex est inspecté soigneusement afin de fournir le rendement optimal et est garanti être exempt de tout défaut de matériau ou de fabrication pour une période de 24 mois à compter de la date d'achat, sous réserve d'un usage normal. Advenant qu'un défaut de matériau ou de fabrication survienne en deçà de 24 mois de la date originale d'achat, Spex s'engage à réparer ou à remplacer, à sa discrétion, l'article sans frais. Cette garantie s'applique aux composants du coussin incluant la housse extérieure, la housse d'incontinence, l'élément de mousse et la base de positionnement stratégique. Cette garantie ne s'applique pas à une usure ou un usage général, incluant perforations, déchirures ou brûlures, ni à une utilisation abusive des composants du coussin.

Les réclamations et les réparations devraient être traitées par l'intermédiaire de votre détaillant Spex le plus près. À l'exception des garanties expresses énoncées aux présentes, toute autre garantie, incluant les garanties implicites de qualité marchande et les garanties de convenance à un usage particulier, est exclue. Il n'y a aucune autre garantie qui excède la description faite aux présentes. Les recours pour non-respect de garantie expresse se limitent à la réparation ou au remplacement des marchandises. En aucun cas les dommages subis par le non-respect de quelque garantie n'incluront des dommages indirects et ne dépasseront le coût des marchandises non conformes vendues.

Vous trouverez le numéro de série de votre coussin à l'arrière de la housse de celui-ci.



32 Detroit Drive
Rolleston 7675
New Zealand



spex

Spex Ltd
Phone +64 3 307 9790
Fax +64 3 307 2820
fasterresults@spexseating.com
www.spexseating.com

Distributed in Canada by:
Sunrise Medical Canada Inc.
237 Romina Drive, Unit 3
Concord, Ontario L4K 4V3

1-800-263-3390
www.sunrisemedical.ca