

The logo for Spex, featuring the word "spex" in a white, lowercase, sans-serif font on a red circular background.

spex

Shaping Better Lives

The product name "Paediatric Lateral Support" is written in a white, sans-serif font inside a red circular background.

Paediatric
Lateral
Support

Fitting all the benefits of the renowned Spex lateral supports into a small package suited perfectly for kids!

Introducing the Paediatric Lateral Support from Spex!



Its slim componentry allows for easier placement of the lateral support because positioning lateral supports can be tricky on paediatric wheelchairs where there is limited space for additional accessories and attachments.



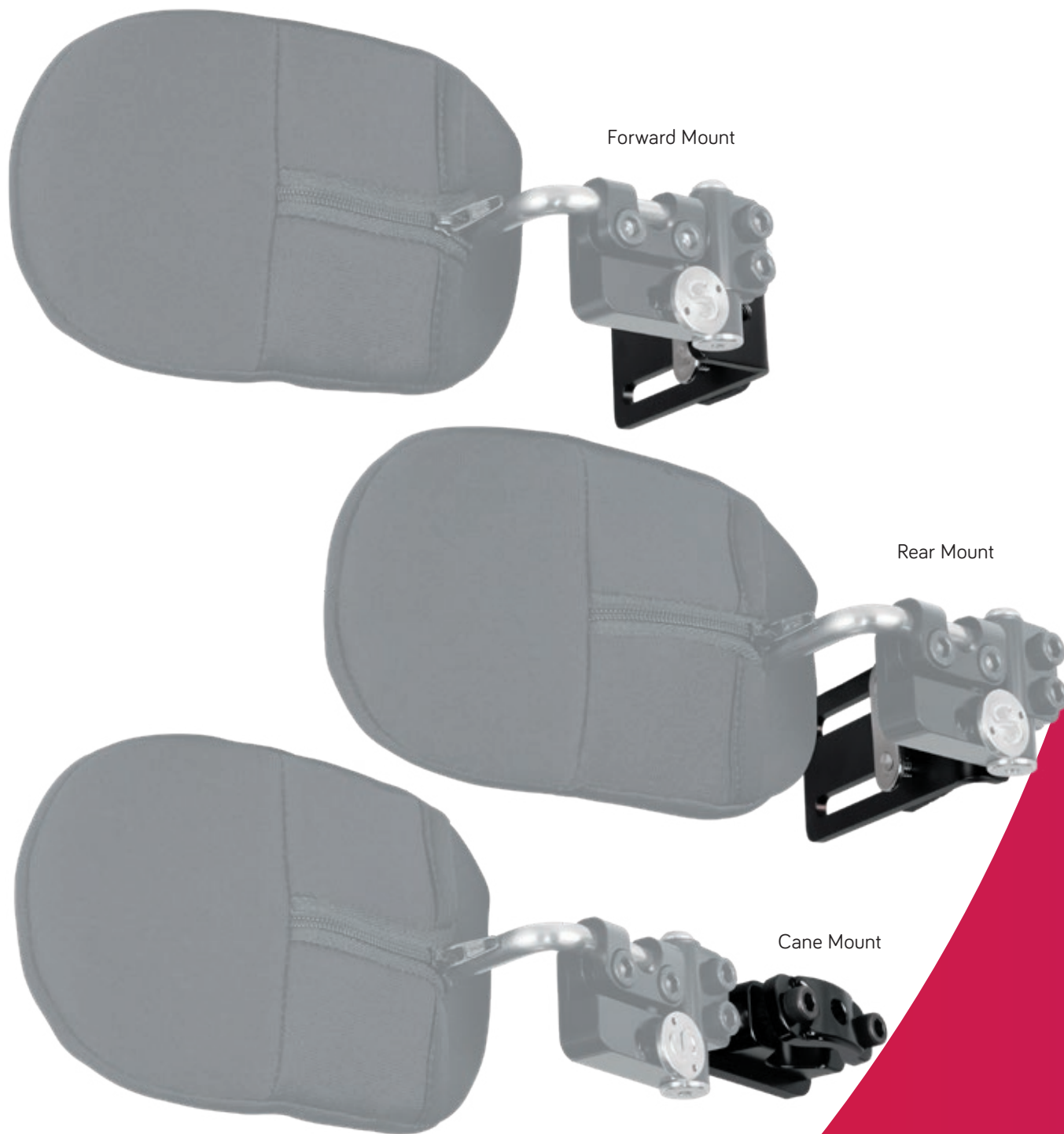
Renowned Axial Technology

Featuring the popular Axial technology that is known and loved from Spex, this allows you to achieve the correct support structure through a unique mechanically rotational system where the lateral pad can be placed in the optimum position for correct alignment of the user's trunk.

Wheelchair transfers made easy

The Paediatric Lateral Support has a clever swing-away feature, much like that found on the existing adult lateral supports, which allows unimpeded transfers in and out of the chair.





Forward Mount

Rear Mount

Cane Mount

Versatile mounting options

- **Forward Mount:** For mounting on thicker back supports. It mounts directly to the back shell, allowing for some width adjustment on the support.
- **Standard (Rear Mount):** For a snug fit on thinner back supports. It mounts directly to the back shell, allowing for some width adjustment on the support. This is the default Paediatric Lateral mounting option.
- **Cane Mount:** Mounts directly to the back support canes of the wheelchair for greater flexibility when installing.

spex

Paediatric Lateral Support Specifications

Invertible mounting capabilities

The Paediatric Lateral Support has invertible mounting capability depending on where you want the Swing-Away release button to be positioned. These are available in left hand and right hand configurations where the Swing-Away release button is positioned on the lower side of the bracket. However, these can be used on either left hand and right hand side.

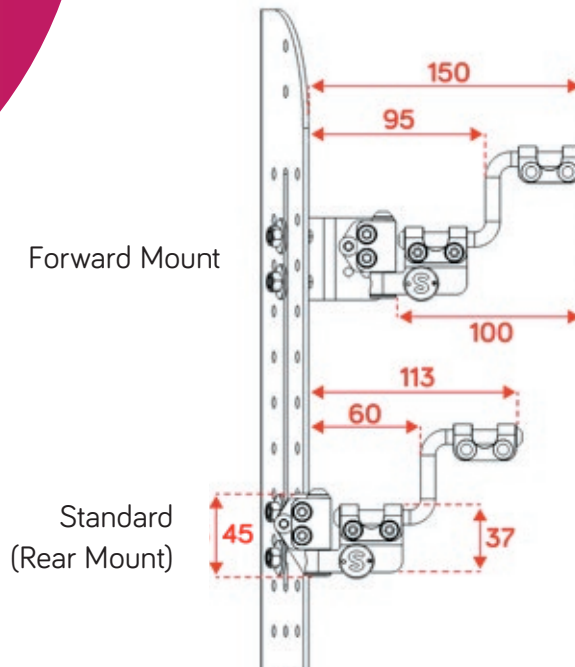


Standard



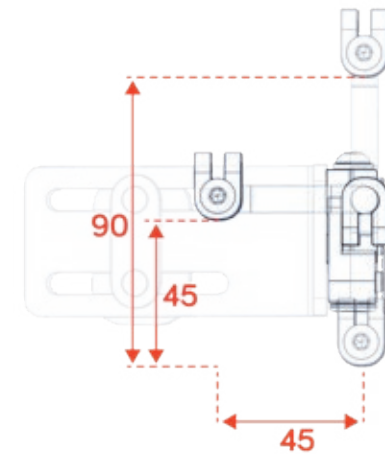
Inverted

Dimensions



Axial Adjustment

Range of adjustment available within the Axial lateral hardware

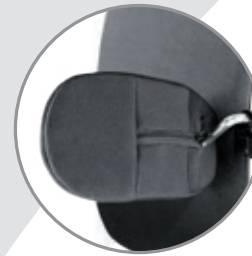


	Left Hand Side	Right Hand Side	Weight	Weight Limit
STANDARD (REAR MOUNT)	1266-2623-100-L	1266-2623-100-R	0.15kg to 0.25kg (bracket only)	50kg
FORWARD MOUNT	1266-2623-200-L	1266-2623-200-R		
CANE MOUNT	1266-2623-300-L	1266-2623-300-R		

Lateral pad options

Pad Cover Options

Standard Cover:
Removable and washable.
Code: -400



Comfi-Cover: Extended padding over mechanism to protect arms from metal hardware. Code: -800



Broad Pad

Long trunk support, effective pressure reduction.

SIZE	HEIGHT	DEPTH	CODE
SIZE 1	105 mm	130 mm	1266-3031-XXX
SIZE 2	125 mm	140 mm	1266-3032-XXX
SIZE 3	140 mm	150 mm	1266-3033-XXX
SIZE 4	160 mm	155 mm	1266-3034-XXX
SIZE 5	195 mm	165 mm	1266-3035-XXX
SIZE 6	230 mm	175 mm	1266-3036-XXX



Narrow Straight pad

Freedom of movement, move forwards and back for functional activities and transfers.

SIZE	HEIGHT	DEPTH	CODE
SIZE 0	85mm	115mm	1266-3010-XXX
SIZE 1	95mm	145mm	1266-3011-XXX
SIZE 2	95mm	180mm	1266-3012-XXX
SIZE 3	115mm	210mm	1266-3013-XXX
SIZE 4	115mm	240mm	1266-3014-XXX



Narrow Curved pad

Anterior support, for increased comfort and spinal extension.

SIZE	HEIGHT	DEPTH	CODE
SIZE 1	95mm	145mm	1266-3021-XXX
SIZE 2	95mm	180mm	1266-3022-XXX
SIZE 3	115mm	210mm	1266-3023-XXX
SIZE 4	115mm	240mm	1266-3024-XXX



spex

Manufactured by Spex Ltd

32 Detroit Drive
Rolleston 7675
New Zealand

+64 3 307 9790

solutions@spexseating.com

www.spexseating.com

DISTRIBUTED BY: