

Script Form
Bounce & Space

NZ & AU

Wonderseat
by spex



Client Details

Client/User name:		Notes
Date:		
DOB:		

Notes

Further Information

Specifications

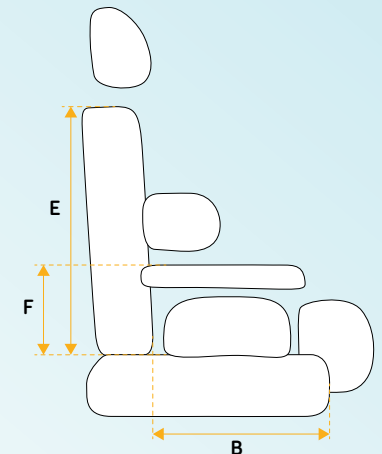
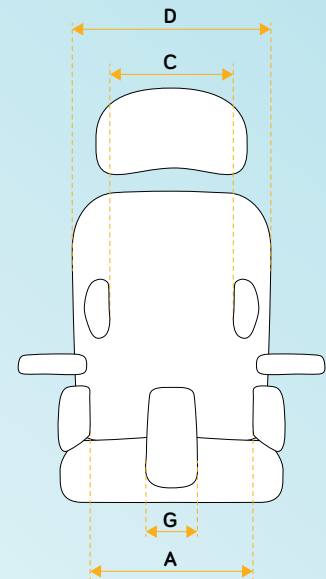
	Size 0	Size 1
Approximate user age	1-5yrs	4-11yrs
Max Load	47kg	47kg

	Bounce	Space	Bounce	Space
Product Weight	7.6kg	7.9kg	9.1kg	9.5kg
Tray Table Weight		1.7kg		1.7kg

	Measurement	Size 0		Size 1	
		Min	Max	Min	Max
A	Lateral Thigh Support Width	15cm	25cm	18cm	30cm
B	Seat Depth	15cm	28cm	23cm	38cm
C	Lateral Trunk Support Width	10cm	24cm	15cm	29cm
D	Back Support Width	20cm		25cm	
E	Back Support Height	25cm	38cm	30cm	43cm
F	Arm Support Height	12cm	19cm	11cm	19cm

Wonderseat Space					
G	Medial Thigh Support Width	4cm	13cm	4cm	13cm

Chair Compatibility	Size 0	Size 1
Tube Diameter	19mm - 30mm	19mm - 30mm
Frame Width	10" - 12"	12" - 14"
Frame Depth	11" - 14"	14" - 17"
Back Post Height	10" - 16"	11" - 18"
Seat Base Mounting Point Separation	3" - 7"	6" - 11"



Bounce

Script Form

Options



Standard Equipment

Size 0
1420-1010-010

Size 1
1420-1011-010

Wonderseat Constructa Cushion, 10" x 12"	Wonderseat Constructa Cushion, 12" x 16"
Growth-Adjust Back Support. 11-15" Growth	Growth-Adjust Back Support. 12-17" Growth
Drop Mount Hardware - Paediatric	
10"x12" Spex Seat Base with Quick Release Hardware	12"x16" Spex Seat Base with Quick Release Hardware
Spex Comfort 250 Head Support Pad	
Wonderseat Lite Head Support Hardware	
Narrow Straight Lateral Trunk Support Pad, Size 0, 8.5 x 11.5cm	Broad Lateral Trunk Support Pad, Size 1, 10.5 x 13cm
Paediatric Axial Lateral Trunk Support Hardware	
Wonderseat Arm Support Pad	Wonderseat Arm Support Pad
Wonderseat Snug Thigh Support Pad, 19 x 8.5cm	Wonderseat Thigh Support Pad, 19 x 8.5cm
Wonderseat Side-Release Arm & Thigh Support Hardware	Wonderseat Complete-Release Arm & Thigh Support Hardware
Wonderseat Padded Centrepoint Shoulder Harness	Wonderseat Padded Centrepoint Shoulder Harness
Spex 2 point Padded Hip Belt, Pad Width 30cm	
Wonderseat Tray Table 1311-7410-013	
Wonderseat Tray Table Padding 1311-7410-013-C	
Spare Cushion Outer Cover 1102-1012-WSC-C	Spare Cushion Outer Cover 1102-1216-WSC-C

Space Script Form

Options



Standard Equipment

Size 0
1420-1020-011

Size 1
1420-1021-011

Wonderseat Constructa Cushion, 10" x 12"	Wonderseat Constructa Cushion, 12" x 16"
Growth-Adjust Spex Classic Back Support. 11-15" Growth	Growth-Adjust Spex Classic Back Support. 12-17" Growth
Drop Mount Hardware - Paediatric	
10"x12" Spex Seat Base with Quick Release Hardware	12"x16" Spex Seat Base with Quick Release Hardware
Spex Paediatric Standard Lateral Head Support Pad	
Wonderseat Quick-Release Head Support Hardware	
Narrow Straight Lateral Trunk Support Pad, Size 0, 8.5 x 11.5cm	Narrow Curved Lateral Trunk Support Pad, Size 1, 9.5 x 14.5cm
Paediatric Swing-Away Lateral Trunk Support Hardware	
Wonderseat Arm & Elbow Support Pad	Wonderseat Arm & Elbow Support Pad
Wonderseat Snug Thigh Support Pad, 19 x 8.5cm	Wonderseat Thigh Support Pad, 19 x 8.5cm
Wonderseat Side-Release Arm & Thigh Support Hardware	Wonderseat Complete-Release Arm & Thigh Support Hardware
Wonderseat Adjustable Medial Thigh Support, Pad height 7cm	
Wonderseat Padded Centrepoint Shoulder Harness	Wonderseat Padded Centrepoint Shoulder Harness
Wonderseat 4-Point Padded Hip Belt, Pad width 24cm	
Wonderseat Tray Table	
Wonderseat Tray Table Padding 1311-7410-013-C	
Spare Cushion Outer Cover 1102-1012-WSC-C	Spare Cushion Outer Cover 1102-1216-WSC-C